

Intellian


Marine Electronics &
Satellite Communications
www.mackaymarine.com

Mackay Marine – High Seas
+1 281 479 1515 marinesales@mackaymarine.com

Mackay Communications, Satellite Solutions
+1 919 850 3100 satserv@mackaycomm.com

Mackay Marine Canada
+1 902 469 8480 sales.canada@mackaymarine.com

Mackay Marine Alaska & Pacific Northwest
NWsales@mackaymarine.com Ballard/SEA, WA +1 206 282 8080
Dutch Harbor, AK +1 253 922 6260

i2

Compact and Smart Marine Satellite TV Antenna System



HDTV
COMPATIBLE

| A firm hold on the signal

Dynamic Beam Tilting (DBT) uses a high performance, constantly adjusting sub-reflector which allows the antenna to remain relatively still, eliminating the constant whine of stepper motors while providing clear reception while the boat is in motion.

| Faster signal acquisition

Intellian's exclusive Wide Range Search (WRS) algorithm allows antenna to search, find and lock on to a signal with incredible speed and accuracy.

| Compact size

33cm antenna reflector diameter with an antenna weighs less than 4.5kg.

| Simple & Easy installation

With just a single cable to connect the antenna and the ACU, Intellian i2 systems are quick and easy to install. Our advanced ACU is designed to require a minimum of set-up so you can begin to enjoy TV programs aboard your boat in no time.

| Performance & Value

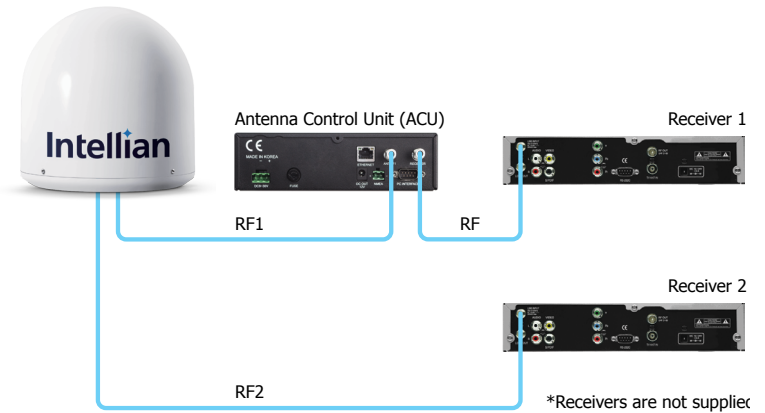
All these benefits are yours to enjoy without having to worry about a hefty price tag. Our goal is to provide an affordable, high value system so you can enjoy big- ticket broadcast entertainment and not have to worry about the price of admission.

i2 Compact and Smart Marine Satellite TV Antenna System

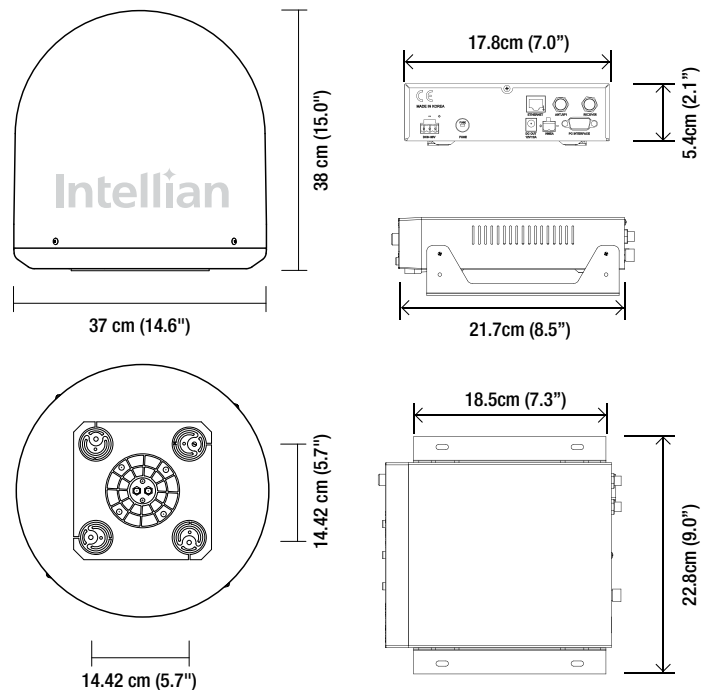
Technical Specifications

Physical	
Radome Height	38cm / 15"
Radome Diameter	37cm / 14.6"
Reflector Diameter	33cm / 13"
Weight	4.5kg / 9.5lbs
Environmental	
Operating Temp. Range	-25°C to +55°C / -13°F to +131°F
Storage Temp. Range	-40°C to +80°C / -40°F to +176°F
Water Ingress	IPX6
Approvals	CE/FCC
Warranty	3 year parts and 2 year labor
Performance	
Reception Frequency	Ku-band (10.7~12.75GHz)
Polarization	Vertical / Horizontal
Minimum EIRP	51dBW
Azimuth Range	680°
Elevation Range	10° to 80°
Ship's Motion	Roll ±25°, Pitch ±15°
Roll & Pitch Response Rate	60° / sec
Turning Rate	60° / sec
RF Output	Dual Output
Antenna Control Unit	
Dimensions (WxDxH)	17.8cm x 21.7cm x 5.4cm / 7" x 8.5" x 2.1"
Weight	1.2kg / 2.6lbs
Display	2 line 20 character VFD module
GPS Interface	Built-in (NMEA 0183 GPS)
Power Requirement	9.0~30.0V DC
Power Consumption	Typ. 30W, Max. 50W

System Diagram



System Dimension



Key Features

- Travel further north or south with extended elevation range 10° to 80°
- Stay locked on in rough seas, 60° per second turning rate
- Compatible with global satellite TV service providers
- Smaller size with bigger performance
- Simplicity of design, no fragile compass and no rate sensor
- Switch channels as fast as you do at home
- DVB-S2 Signal Identification



Global HQ
Innovation Center
 Intellian Technologies, Inc
 T +82 31 379 1000
 F +82 31 377 6185

APAC
Seoul
 Intellian Technologies, Inc.
 T +82 2 511 2244
 F +82 2 511 2235

Americas
Irvine
 Intellian Technologies USA, Inc.
 T +1 949 727 4498
 F +1 949 271 4183
 Toll Free +1 888-201-9223

EMEA
Rotterdam
 Intellian B.V.
 T +31 1 0820 8655
 F +31 1 0820 8656