
Globemaster

Production History (Rev info) 1980 to Present

All Globemasters

2001: (Rev #2) Globemasters received Wheelmark Certification.

(Rev #3) Updated Dials to Molded Magnet Carrier.

2003: (No Rev #) Created a 24 Volt Light, eliminating the need for an external resistor.

Reference Service Bulletin # SB0022

(No Rev #) Expanded the Model numbers to include Dial and Voltage information. *Reference Service Bulletin # SB0023*

All Globemasters with Low Level Lighting

1987: (No Rev #) Changed from a **red** incandescent bulb to **red** LED.

1991: (No Rev #) Changed from **red** LED to **green**.

1996: (No Rev #) Re-designed the LED assembly to a circuit board type.

All Globemasters with Power lighting

1996: (No Rev #) Changed from a clear incandescent bulb (red filter) to **green** LED.

2003: (no Rev #) Re-designed the LED assembly to a circuit board type. *see SB0021*

All 5" Globemasters

1980: (Ser # A/80 & B/80*) Moved o-ring to groove in dome. Changed dome, bezel and o-ring.

1990: (Rev # 1*) Replaced bronze bowl with bladder and modified dome to work with new bowl.

1996: (Rev # 1) Changed diaphragm material. *Reference Service Bulletin # 052096a*

1997 & 98: (97.02 & 98.02 only) Modified dome. *Reference Service Bulletin # 101597a*

2001: (Rev #1) Changed to Isopar L dampening fluid.

SP-5's and DR-5's

1980: (Ser # A/80 & B/80*) Moved o-ring to grove in dome. Changed dome, bezel and o-ring.

1981: (Ser # C/81 & later*) Replaced aluminum inner housing with brass clamping ring and plastic base.

* **-R** in the serial number indicates that a Globemaster has been upgraded to a bladder style diaphragm. Carefully examine parts before ordering. Some compasses have been modified to a newer design without changing the serial number.

B-453 & YB-500, D-5-S

2000 (Rev # 1) Changed to a non-powerdamp dial on all steel boat models.

All 6" Globemaster

1994: (Rev # 1) Re-designed bowl by replacing the bronze bellows with a diaphragm.

2001: (Rev #1) Changed to Isopar L dampening fluid.

Globemaster

Re-assembly Tips

Globemasters

5" (1974 to 1990) & 6 (1974 to Present)

When re-assembling flare type assemblies, the dome must be centered inside the bezel and the bezel screws must be tightened evenly, but not bottomed out.

The fill plug screw is elongated to act as a stop to prevent the gimbal ring from turning completely over. As you install this screw, be careful it does not contact the gimbal ring as this can cause damage to the gimbal assembly.

Measure the bellows height and do the necessary adjustment. Sometimes excessive internal pressure can deform the bellows. If the bellows height requires readjustment and it is not modified, excessive fluid will be added resulting in even higher internal pressure. The bellows in both the 5-inch and 6 inch old style versions can be adjusted manually to the proper height.

Measure the 5-inch old style bellows height from the bottom of the bowl assembly to the center of the bellows. The proper height is $\frac{3}{4}$ inch. To measure, place a straightedge across the bottom of the bowl assembly and measure the distance from the straightedge to the center of the bellows.

6" (1973 to 1993)

Measure the 6-inch old style bellows height from the bottom of the threaded stud to the center interior of the bellows. The proper measurement is 1 inch. To measure, use a small rod that can fit through the hole in the stud.

5" (1990 to present) & 6" (1994 to present) Globemasters

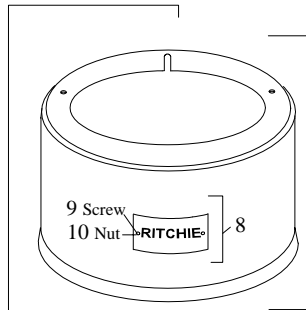
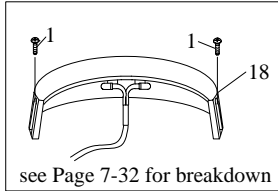
The flexible diaphragm must be held at the proper height while the compass is being filled with fluid. The weight of the fluid as it is being installed may cause the bellows to bulge and too much fluid will be added. This can result in excessive internal pressure.

Fluid replacement for the NEW STYLE 6-inch compass requires maintaining a 1-inch space between the bottom outside of the diaphragm and the bottom of the bowl.

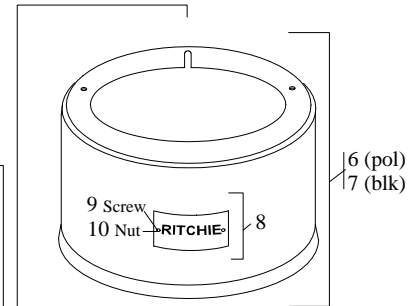
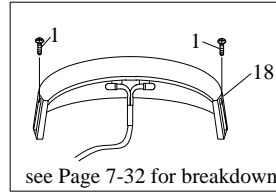
Globemaster 5''

DR-5, DR-5C, DR-5B, SP-5 SP-5C, SP-5B, SS-5100, SS-5100B

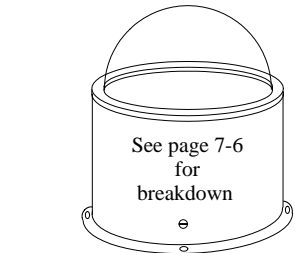
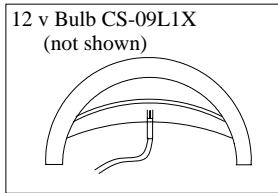
**SP-5,
SP-5C & SP-5B**
1973 to 1980



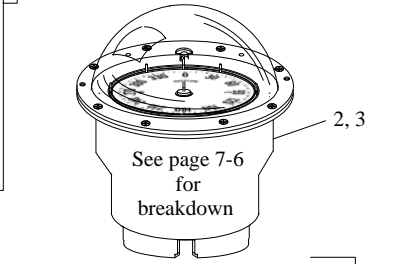
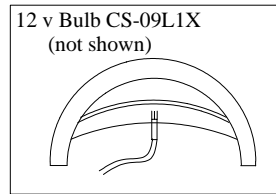
**SP-5,
SP-5C & SP-5B**
SS-5100B, SS-5100P
1981 to present



**DR-5,
DR-5C & DR-5B**
1969 to 1980



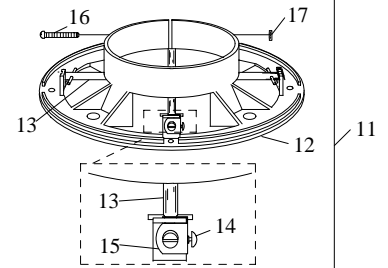
**DR-5,
DR-5C & DR-5B**
1981 to 1990



This Light shade & wire assembly is no longer available. The entire assembly can be replaced with Key #'s 4 or 5.

This capsule has been updated and is no longer available in this form. The replacement capsules for the DR-5's are Key # 2, SP-5's are Key # 3 You will also need a new style base assembly Key # 11

This Light shade & wire assembly is no longer available. The entire assembly can be replaced with Key #'s 4 or 5.



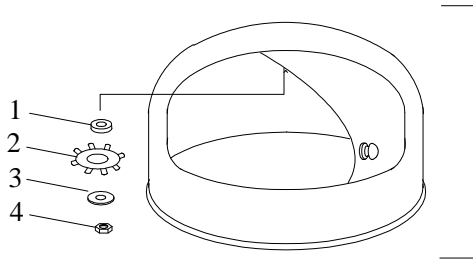
1	SH-0068	Screw, 6-32 X 5/16"	SP-5's, SS-5100's
2	CS-0009-P2	Replacement Capsule, w/ power pan,	DR-5's
3	CS-0009-P1	Replacement Capsule, w/ sail pan,	SP-5's, SS-5100's
6	5G-0023 SS	Binnacle for SP-5, polished SS, <i>Includes Key #'s 8,9,10</i>	SP-5C, DR-5C, SS-5100P
7	5G-0023 BLK	Binnacle for SP-5, black wrinkle <i>Includes Key #'s 8,9,10</i>	SP-5B, DR-5B, SS-5100B
8	GM-0027	Nameplate, <i>Includes Key #'s 9 & 10</i>	
9	GM-0047	Screw, 3-48 x 1/4", nameplate	
10	GM-0030	Nut, 3-48, nameplate	
11	5G-0005 ASY	Mounting Base Assembly, <i>Includes Key #'s 12 through 16</i>	
12	5G-0005	Mounting Base	SP-5's, DR-5's, SS-5100's
13	5G-0092 MAG	Compensator Rod (compass requires 2)	
14	GM-0050	Screw, locking retainer	
15	5G-0085	Locking Retainer, compensator rod	
16	5G-0095	Screw, clamping, 8-32, x 1-1/4"	
17	5G-0076	Nut, 8-32, base clamping	

Low Level Light Assembly					
18	5G-0140 ASY	Black w/ Green 12v LED	18	5G-0096 ASY	Black w/ Red 12v LED
	5G-0160 ASY	Black w/ Green 24v LED			
These are complete Compass lights including housings and LED's (or bulbs)					
For replacement Parts (LED's, Lens, LED Upgrade Kits, ect.) See page 7-32					

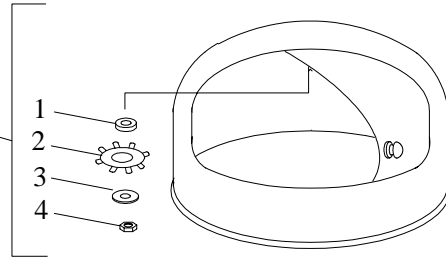
Globemaster 5''

515-P, 515-B, 515-EP, 515-EB, D-515-P, D-515-B, D-515-EP, D-515-EB

D-515-EP & D-515-EB

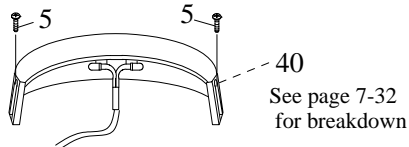


D-515-P & D-515-B



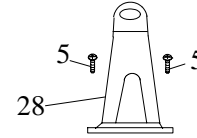
34 (pol)
37 (blk)

515-EP & 515-EB

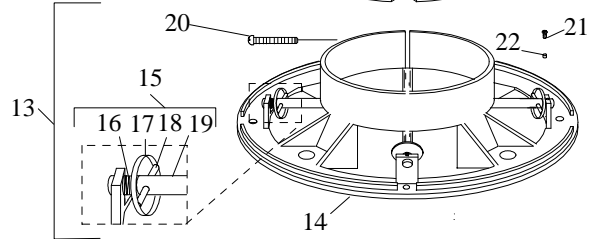
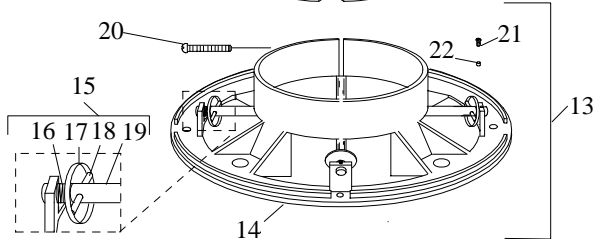
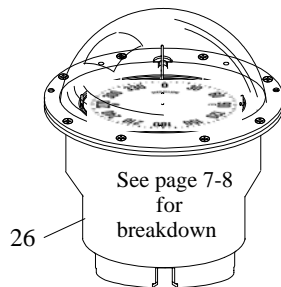
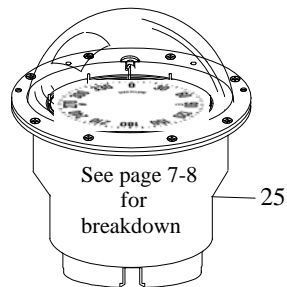
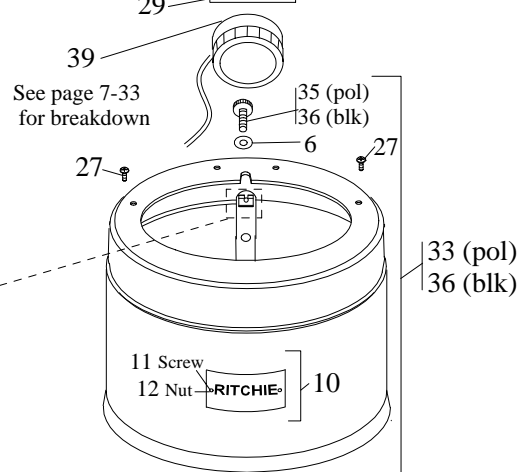
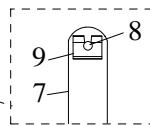
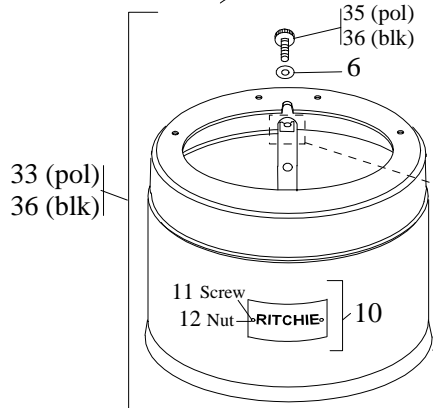


See page 7-32
for breakdown

515-P & 515-B



See page 7-33
for breakdown



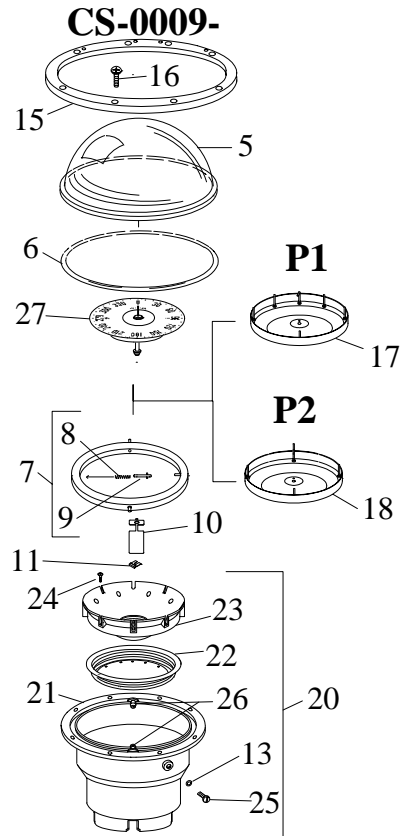
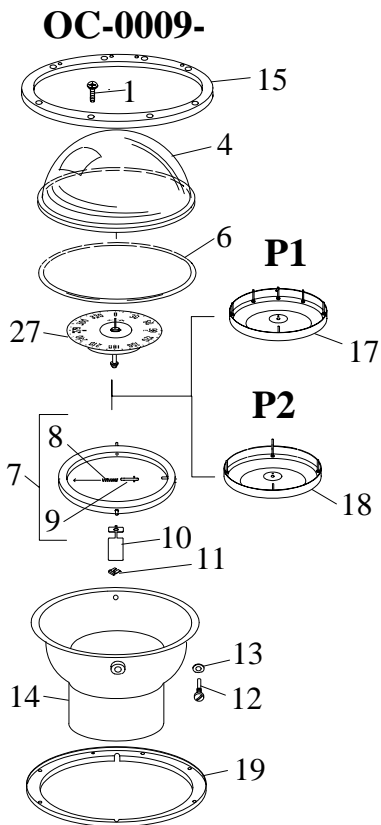
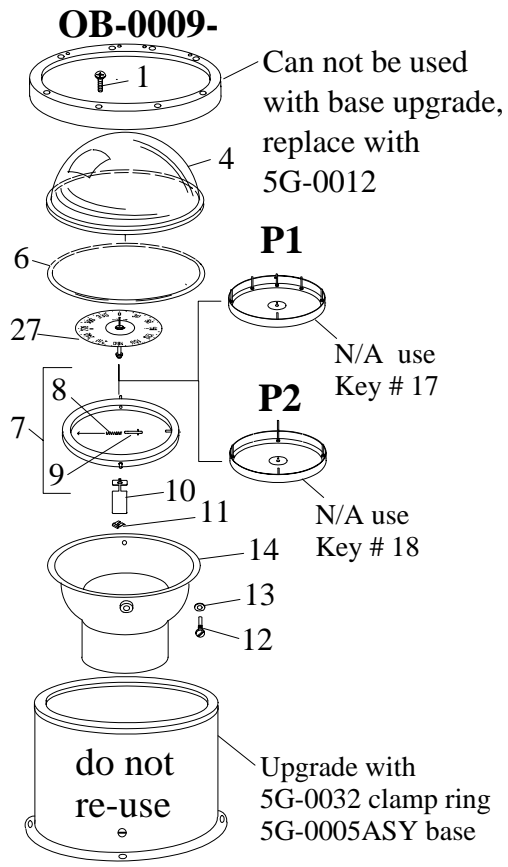
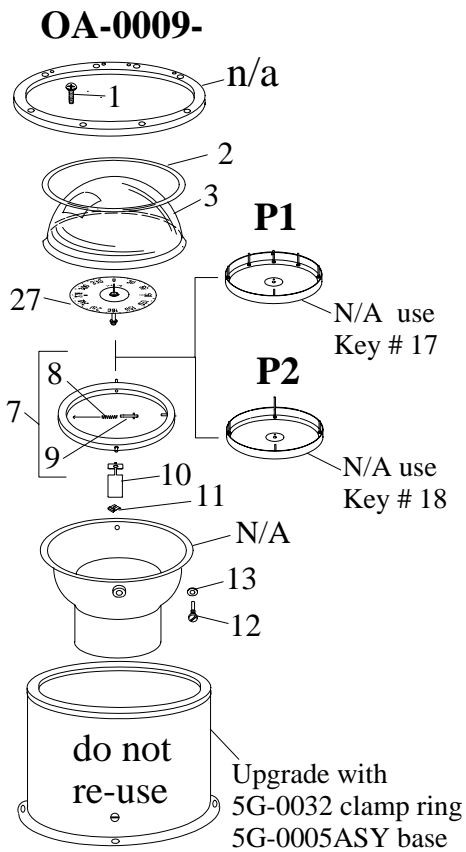
Globemaster 5''

Stainless Steel Binnacle Mount

1	GM-0055	Spacer, hood retaining	ALL
2	GM-0071	Spring Washer, hood retaining	
3	GM-0068	Washer, hood retaining	
4	GM-0029	Nut, hood retaining	
5	SH-0068	Screw, 6-32 x 5.16", light retaining	
6	GM-0072	Washer, thumbscrew	
7	GM-0022	Lever, hood retaining	
8	GM-0054	Binder Button	
9	SH-0052	Retainer, binder button	
10	GM-0027	Nameplate	
11	GM-0047	Screw, 3-48 x 1/4", nameplate	
12	GM-0030	Nut, 3-48, nameplate	
13	5G-0004 ASY	Base Assembly, bronze, <i>Includes Key #'s 14 through 22</i>	
14	5G-0004	Base, bronze	
15	CS-0013 KIT	Compensator Kit, (2 rods) <i>Includes Key #'s 16, 17, 18, 19</i>	
16	GM-0057	Spring, compensator magnet retainer	
17	5G-0084	Retainer, compensator magnet	
18	5G-0075	Magnet, compensator	
19	5G-0087	Rod, compensator	
20	GM-0052	Screw, clamping, bronze base	
21	GM-0075	Screw, compensator rod locking	
22	GM-0032	Binder, compensator rod locking	
23	5G-0140 ASY	Low Level Light Shield Assembly (green LED)	515-EP, D-515-EP, 515-EB, D-515-EB
24	5G-0096 ASY	Low Level Light Shield Assembly (red Led)	
25	CS-0009-P1	Replacement Capsule, w/ sail pan,	515-P, D-515-P, 515-B, D-515-B
26	CS-0009-P2	Replacement Capsule, w/ power pan,	
27	GM-0050	Screw, locking retainer	
28	GM-0005	Bracket, light	
29	GM-0012	Gasket, light Bracket	
30	GM-0023 ASY	PowerLight, with 12 volt bulb & red lens	
31	GM-0023 AS3	PowerLight, with 24/32 volt bulb & red lens	
32	GM-0086 ASY	PowerLight, (12 volt, green LED)	515-EP, D-515-EP, 515-P, D-515-P
33	5G-0022 SS	Binnacle Housing, polished SS, <i>Includes Key #'s 6 though 12 & 35</i>	
34	5G-0054 SS	Hood, polished SS, <i>Includes Key #'s 1,2,3,4</i>	
35	GM-0065	Thumbscrew, chrome	515-EB, D-515-EB, 515-B, D-515-B
36	5G-0022 BLK	Binnacle Housing, black, <i>Includes Key #'s 6 though 12 & 38</i>	
37	5G-0054 BLK	Hood, black wrinkle finish, <i>Includes Key #'s 1,2,3,4</i>	
38	GM-0063	Thumbscrew, black wrinkle finish	

Power Light Assembly			Low Level Light Assembly		
39	GM-0023 ASY	Clear 12v Bulb & Red Lens	40	5G-0140 ASY	Black w/ Green 12v LED
	GM-0023 AS3	Clear 24/32v Bulb & Red Lens		5G-0160 ASY	Black w/ Green 24v LED
	GM-0086 ASY	Green 12v LED & Clear Lens		5G-0096 ASY	Black w/ Red 12v LED
	GM-0092 ASY	Green 24v LED & Clear Lens			
	GM-0094 ASY	Red 12v LED & Clear Lens			
	GM-0096 ASY	Red 24v LED & Clear Lens			
These are complete Compass lights including housings and LED,s (or bulbs)					
For replacement Parts (LED's, Lens, LED Upgrade Kits, ect.) See pages 7-32 and 7-33					

Globemaster Capsule Breakdown



Globemaster 5''

Capsules for Stainless Steel Binnacle mounts

Select the appropriate capsule				
Model #	1969 to 1980	1980-1981	1981 to 1990	1991 to present
SP-5's	OA-0009-P1	OB-0009-P1	OC-0009-P1	CS-0009-P1
DR-5's	OA-0009-P2	OB-0009-P2	OC-0009-P2	CS-0009-P2
SS-5100's	n/a			CS-0009-P1

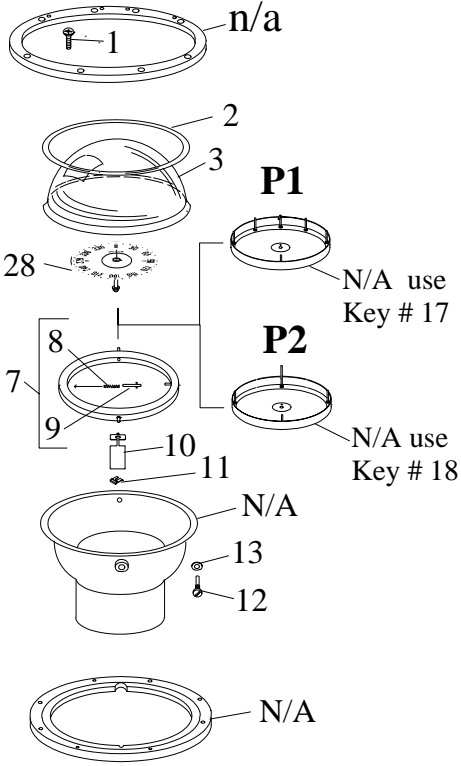
1	GM-0048	Screw, 6-32 x 1/2" bezel
2	CS-04D1G1*	O-ring
3	CS-04D1*	Dome, flare type
4	5G-0040*	Dome, ridge type w/ groove for O-ring
5	5G-0131	Dome, ridge type, no groove
6	5G-0078	O-ring
7	5G-0044 ASY	Gimbal Ring Assembly, <i>Includes Key #'s 8 & 9</i>
8	GM-0059	Spring, gimbal pin
9	GM-0013	Gimbal Pin
10	5G-0002	Balance Tab
11	SH-0052	Retainer, balance tab
12	GM-0046	Fill Plug for metal bowl , 10-32 x 5/8"
13	SH-0039	O-ring, fill plug screw
14	5G-0025 ASY*	Bowl, bronze, without strap.
15	5G-0012	Bezel, for SS housing, accepts low level or power light
16	5G-0132	Screw, 6-20 x 5/8" bezel
17	5G-0082 ASY	Lubber Line Pan, sail
18	5G-0081 ASY	Lubber Line Pan, power
19	5G-0032	Clamp Ring
20	5G-0127 ASY	Bowl Assembly, <i>Includes Key # 13 & 21 though 26</i>
21	5G-0127	Bowl
22	5G-0129	Diaphragm
23	5G-0128	Retainer, diaphragm
24	5G-0094	Screw, 6 x 3/8", diaphragm retainer
25	SH-0059	Fill Plug, 10-32 x 3/8"
26	5G-0130	Boss, gimbal pin

*** Availability may be limited**

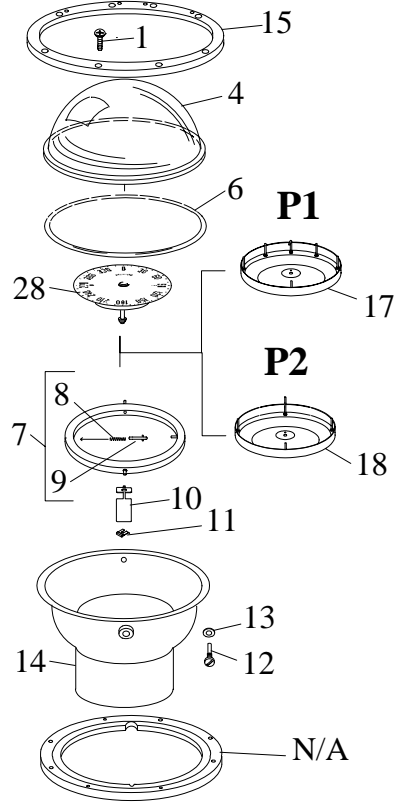
Dial Selection		
The model number will not reflect what type of dial is in the compass. (except SS-5100's)		
Key #	Part #	Description
27	5G-0038 ASY	SuperSport 5 degree PowerDamp dial, (blue)
	5G-0135 ASY	5 degree PowerDamp dial, (black)
	5G-0135 STL	5 degree dial (black)
	5G-0133 ASY	2 degree PowerDamp dial without points, (black)
	5G-0133 STL	2 degree dial without points, (black)
	5G-0036 ASY	2 degree PowerDamp dial (black)
	5G-0036 STL	2 degree dial with points (black)
PowerDamp dials require Pan #'s 5G-0082 ASY or 5G-0081 ASY (key #'s 17 or 18)		
Some dials were produced special for OEM's. Choose a replacement dial from the list above or contact Ritchie's Service Department for OEM dial availability.		

Globemaster 5'' Capsule Breakdown

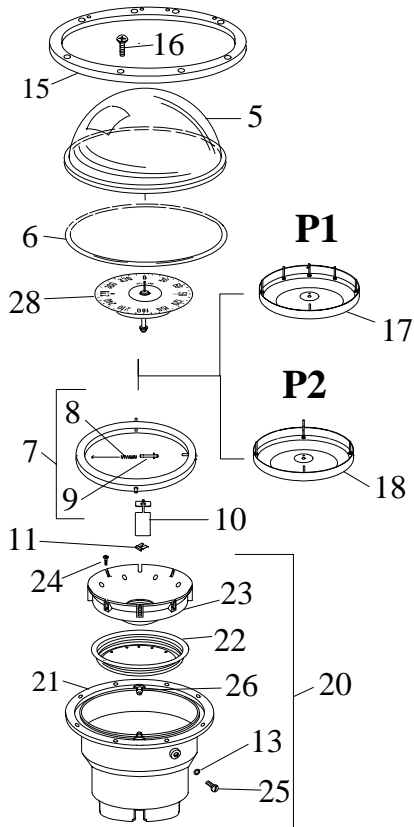
OD-0009-



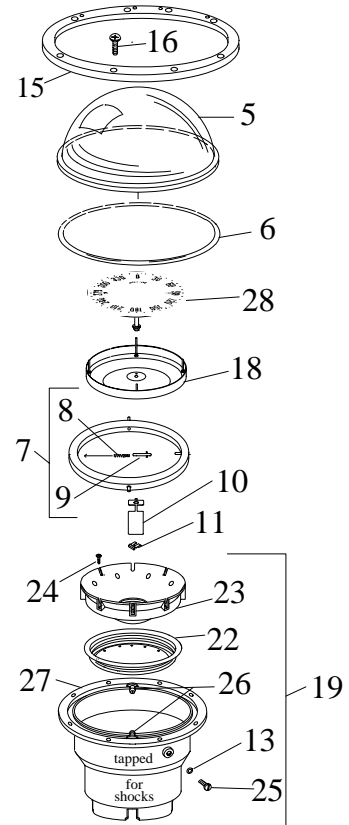
OE-0009-



CS-0009-



CS-0011-P2



Globemaster 5''

Capsules for Stainless Steel Binnacle Mounts

Select appropriate capsule			
Model #	1969 to 1980	1981 to 1990	1991 to present
515-EP & 515-EB	OD-0009-P1	OE-0009-P1	CS-0009-P1
515-P & 515-B	OD-0009-P2	OE-0009-P2	CS-0009-P2
D-515-EP & D-515-EB	OD-0009-P1	OE-0009-P1	CS-0009-P1
D-515-P & D-515-B	OD-0009-P2	OE-0009-P2	CS-0009-P2
B-453 & C-453	OD-0009-P2	OE-0009-P2	CS-0011-P2

1	GM-0048	Screw, 6-32 x 1/2" bezel
2	CS-04D1G1*	O-ring
3	CS-04D1*	Dome, flare type
4	5G-0040*	Dome, ridge type w/ groove for O-ring
5	5G-0131	Dome, ridge type, no groove
6	5G-0078	O-ring
7	5G-0044 ASY	Gimbal Ring Assembly, <i>Includes Key #'s 8 & 9</i>
8	GM-0059	Spring, gimbal pin
9	GM-0013	Gimbal Pin
10	5G-0002	Balance Tab
11	SH-0052	Retainer, balance tab
12	GM-0046	Fill plug for metal bowl, 10-32 x 5/8"
13	SH-0039	O-ring, fill plug screw
14	5G-0025 ASY*	Bowl, bronze, without strap
15	5G-0012	Bezel, for SS housing, accepts low level or power light
16	5G-0132	Screw, 6-20 x 5/8" bezel
17	5G-0082 ASY	Lubber Line Pan, sail
18	5G-0081 ASY	Lubber Line Pan, power
19	5G-0136 ASY	Bowl Assembly, <i>Includes Key # 13 & 22 though 27</i>
20	5G-0127 ASY	Bowl Assembly, <i>Includes Key # 13 & 21 though 26</i>
21	5G-0127	Bowl
22	5G-0129	Diaphragm
23	5G-0128	Retainer, diaphragm
24	5G-0094	Screw, 6 x 3/8", diaphragm retainer
25	SH-0059	Fill Plug, 10-32 x 3/8"
26	5G-0130	Boss, gimbal pin
27	5G-0136	Bowl, tapped for shock mounts

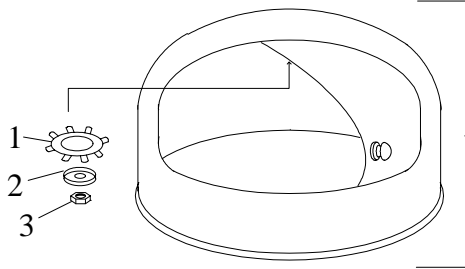
* Availability may be limited

Dial Selection		
The model number will not reflect what type of dial is in the compass. (except SS-5100's)		
Key #	Part #	Description
28	5G-0135 ASY	5 degree PowerDamp dial, (black)
	5G-0135 STL	5 degree dial (black)
	5G-0133 ASY	2 degree PowerDamp dial without points, (black)
	5G-0133 STL	2 degree dial, (black)
	5G-0036 ASY	2 degree PowerDamp dial (black)
	5G-0036 STL	2 degree dial with points (black)
PowerDamp dials require Pan #'s 5G-0082 ASY or 5G-0081 ASY (key #'s 17 or 18)		
Some dials were produced special for OEM's. Choose a replacement dial from the list above or contact Ritchie's Service Department for OEM dial availability.		

Globemaster 5''

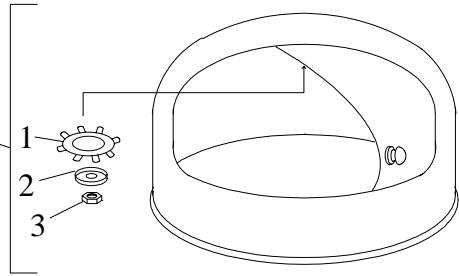
515-X, 515-EX, D-515-X, D-515-EX, D-5-S-B, D-5-S-C, D-5-S-X

D-515-EX

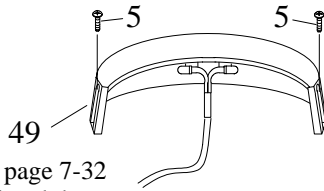


29 (chm)
33 (pol)
37 (blk)

D-515-X



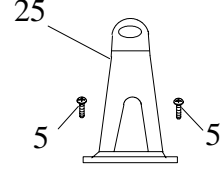
515-EX



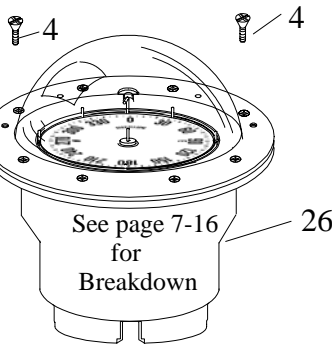
See page 7-32
for breakdown

The 515's are
D-515's without
the Hood.

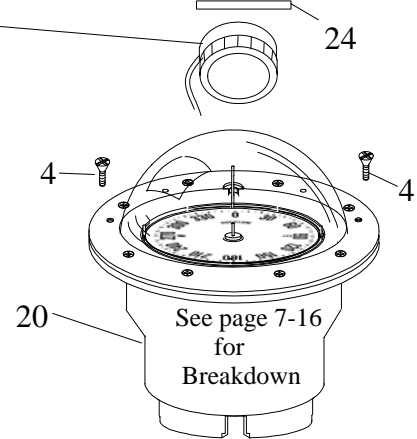
515-X



See page 7-33
for breakdown

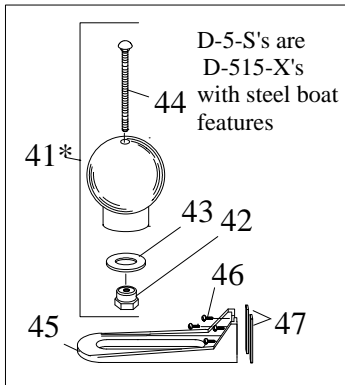


See page 7-16
for
Breakdown



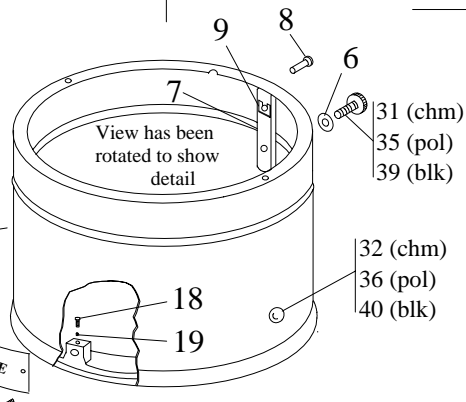
See page 7-16
for
Breakdown

D-5-S-B, D-5-S-C
D-5-S-X



D-5-S's are
D-515-X's
with steel boat
features

* 3 1/2" Sphere
4 & 5" spheres are
available, see page 7-22

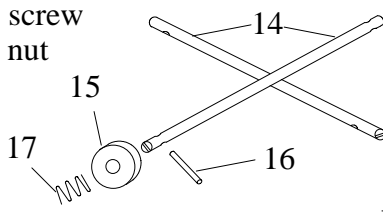


30 (chm)
34 (pol)
38 (blk)

31 (chm)
35 (pol)
39 (blk)

32 (chm)
36 (pol)
40 (blk)

11 screw
12 nut



Globemaster 5''

Brass Binnacle Mounts

1	GM-0070	Spring Washer, hood retaining	ALL	
2	GM-0066	Cup Washer, hood retaining		
3	GM-0028	Nut, hood retaining		
4	GM-0048	Screw, 6-32 x 1/2" capsule to housing		
5	SH-0068	Screw, 6-32 x 5.16", light retaining		
6	GM-0072	Washer, thumbscrew		
7	GM-0022	Lever, hood retaining		
8	GM-0054	Binder Button		
9	SH-0052	Retainer, binder button		
10	GM-0027	Nameplate, <i>Includes Key #'s 11 & 12</i>		
11	GM-0047	Screw, 3-48 x 1/4", nameplate		
12	GM-0030	Nut, 3-48, nameplate		
13	CS-0013 KIT	Compensator Kit, <i>Includes Key #'s 14(2) 15(4) 16(4) 17(2) 18(1) 19(1)</i>		
14	5G-0087	Compensator Rod		
15	5G-0084	Retainer, compensator magnet		
16	5G-0075	Magnet, compensator		
17	GM-0057	Spring, compensator magnet retainer		
18	GM-0075	Screw, compensator rod locking		
19	GM-0032	Binder, compensator rod locking		
20	CS-0012-P2	Replacement Capsule, w/ power pan		515-X, D-515-X, D-5-S-B, D-5-S-C, D-5-S-X
24	GM-0012	Gasket, powerlight bracket		
25	GM-0005	PowerLight Bracket		
26	CS-0010-P1	Replacement Capsule, w/ sail pan		515-EX, D-515-EX
29	5G-0053 CM	Hood Assembly, chrome, <i>Includes Key #'s 1, 2, 3</i>		D-5-S-C
30	5G-0020 ASY	Binnacle Assembly, chrome, <i>Includes Key #'s 6-17, 31, 32(4)</i>		
31	GM-0065	Thumbscrew, chrome		
32	GM-0037	Plug, compensator, chrome		
33	5G-0053 BR	Hood assembly, polished brass, <i>Includes Key #'s 1, 2, 3</i>	515-X, D-515-X, D-5-S-X, 515-EX, D-515-EX	
34	5G-0021 ASY	Binnacle assembly, brass, <i>Includes Key #'s 6 through 17, 35, 36(4)</i>		
35	GM-0064	Thumbscrew, polished brass		
36	GM-0036	Plug, compensator, polished brass		
37	5G-0053 BLK	Hood, black wrinkle, <i>Includes Key #'s 1, 2, 3</i>	D-5-S-B	
38	5G-0017 ASY	Binnacle, black, <i>Includes Key #'s 6 through 17, 39, 40(4)</i>		
39	GM-0063	Thumbscrew, black wrinkle finish		
40	GM-0035	Plug, compensator, black wrinkle		
41	5G-0099 ASY	Sphere, 3 1/2" <i>Includes Key #'s 42, 43, 44 (requires 2 per compass)</i>	D-5-S-B, D-5-S-C, D-5-S-X	
42	GM-0031	Nut, sphere bolt		
43	GM-0069	Washer, sphere bolt		
44	5G-0024	Bolt 3 1/2", sphere		
45	5G-0028	Sphere Bracket for 5" models (requires 2 per compass)		
46	GM-0045	Screw, 10-32 x 5/8", bracket mounting, (requires 4 per bracket)		
47	GM-0034	Mounting Plate for sphere bracket (requires 2 per bracket)		

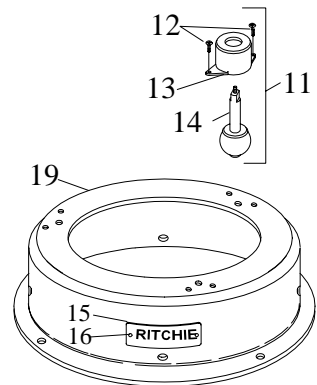
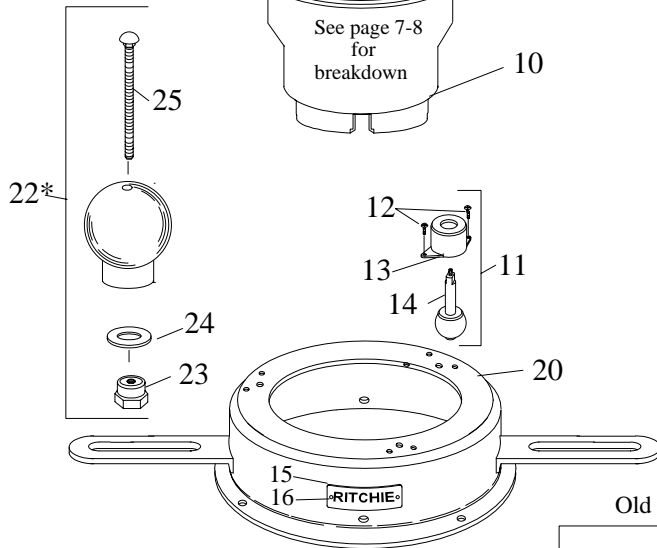
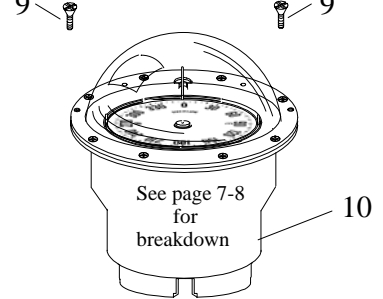
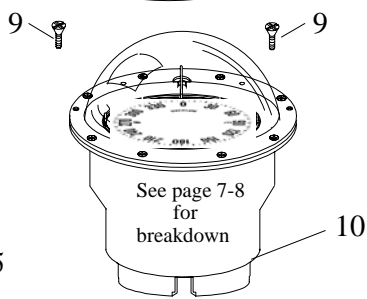
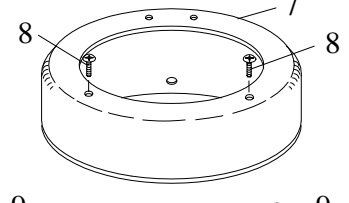
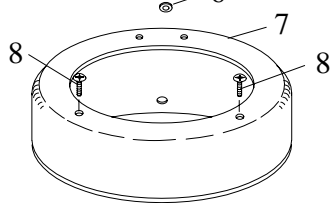
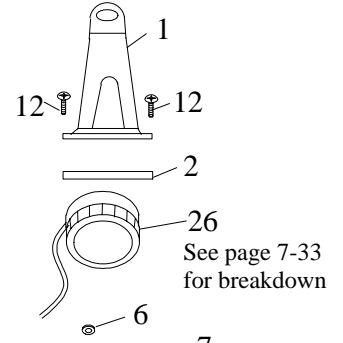
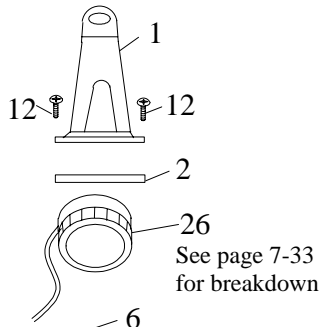
Power Light Assembly		Low Level Light Assembly			
48	GM-0023 ASY	Clear 12v Bulb & Red Lens	49	5G-0140 ASY	Black w/ Green 12v LED
	GM-0023 AS3	Clear 24/32v Bulb & Red Lens		5G-0160 ASY	Black w/ Green 24v LED
	GM-0086 ASY	Green 12v LED & Clear Lens		5G-0096 ASY	Black w/ Red 12v LED
	GM-0092 ASY	Green 24v LED & Clear Lens			
	GM-0094 ASY	Red 12v LED & Clear Lens			
	GM-0096 ASY	Red 24v LED & Clear Lens			
These are complete Compass lights including housings and LED's (or bulbs)					
For replacement Parts (LED's, Lens, LED Upgrade Kits, ect.) See pages 7-32 and 7-33					

Globemaster 5"

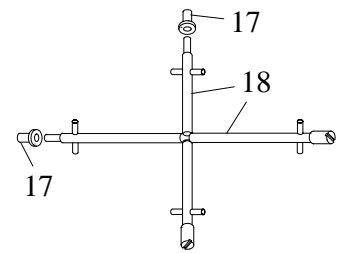
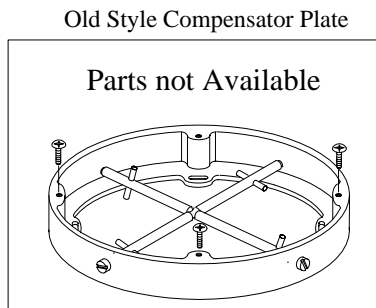
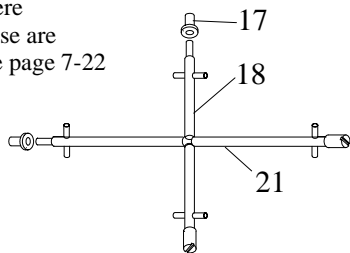
B-453 & C-453

B-453

C-453



* 3 1/2" Sphere
4 & 5" Spherse are
available, see page 7-22



Globemaster 5'' Shock Mounts

1	GM-0005	PowerLight Bracket	B-454 & C-453	
2	GM-0012	Gasket, PowerLight bracket		
6	SH-0020	Grommet, light wire hole		
7	5G-0016	Upper Housing,		
8	GM-0050	Screw, locking retainer		
9	GM-0048	Screw, 6-32 x 1/2"		
10	CS-0011-P2	Replacement Capsule, w/ power pan, power light		
11	GM-0080	Shock assembly <i>Includes Key #'s 12, 13, 14</i> (requires 3 per compass)		
12	SH-0068	Screw, 6-32 x 5.16", light retaining		
13	GM-0041	Housing, shock hount		
14	GM-0001 ASY	Shock Balloon		
15	GM-0027	Nameplate, <i>Includes Key #'s 16</i>		
16	GM-0047	Screw, 3-48 x 1/4", nameplate		
17	5G-0077	Nylon Bearing, Compensator Rod		
18	5G-0089 ASY	Compensator Rod		
19	5G-0015	Binnacle Base: Model C-453, <i>Includes Key #'s 15 & 16</i>		C-453
20	5G-0014	Binnacle Base: Model B-453, <i>Includes Key #'s 15 & 16</i>		B-453
21	5G-0088 ASY	Compensator Rod (longer than 5G-0089ASY)		
22	5G-0099 ASY	Sphere, 3 1/2", <i>Includes Key #'s 23, 24, 25</i> (requires 2 per compass)		
23	GM-0031	Nut, sphere bolt		
24	GM-0069	Washer, sphere bolt		
25	5G-0024	Bolt 3 1/2", sphere		

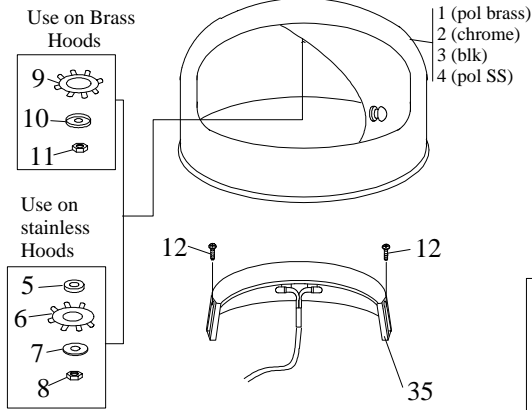
Power Light Assembly					
26	GM-0023 ASY	Clear 12v Bulb & Red Lens	26	GM-0092 ASY	Green 24v LED & Clear Lens
	GM-0023 AS3	Clear 24/32v Bulb & Red Lens		GM-0094 ASY	Red 12v LED & Clear Lens
	GM-0086 ASY	Green 12v LED & Clear Lens		GM-0096 ASY	Red 24v LED & Clear Lens
These are complete Compass lights including housings and LED'S (or bulbs)					
For replacement Parts (LED's, Lens, LED Upgrade Kits, ect.) See page 7-33					

Globemaster 5"

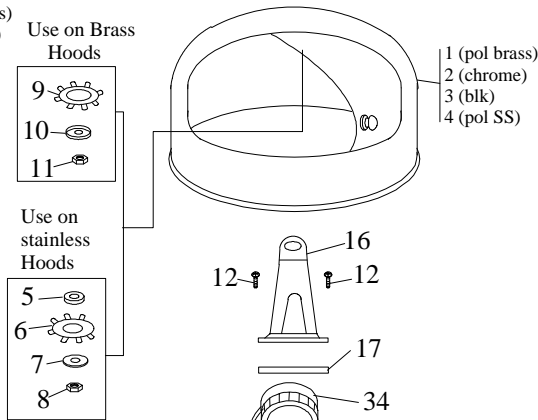
**B-500 F-500 FD-500-EB, FD-500-EP, FD-500-EX, FD-500-B, FD-500-P, FD-500-X, SF-500
FB-500, SB-500, SS-5000, SS-5000W, YB-500**

SEE PAGE 7-32 & 7-33 FOR LIGHTING BREAKDOWN

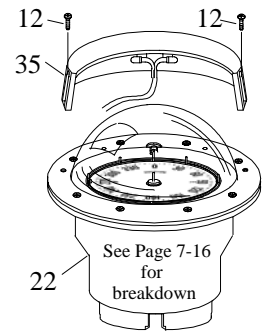
FD-500-EB, FD-500-EP, FD-500-EX



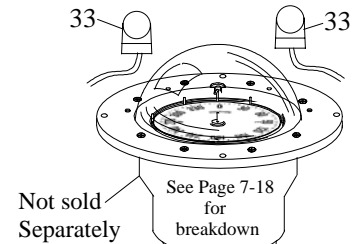
FD-500-B, FD-500-P, FD-500-X



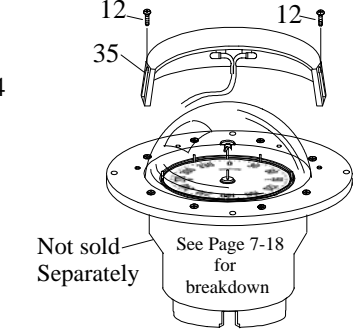
SB-500



SF-500 1973 to 1978

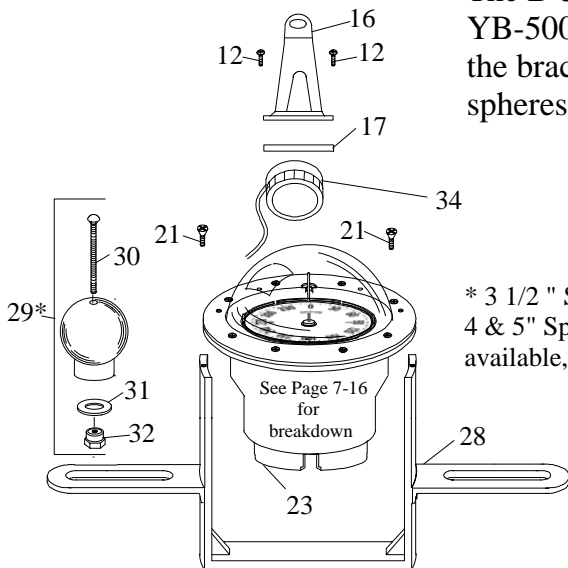


SF-500 1979 to present



B-500 YB-500

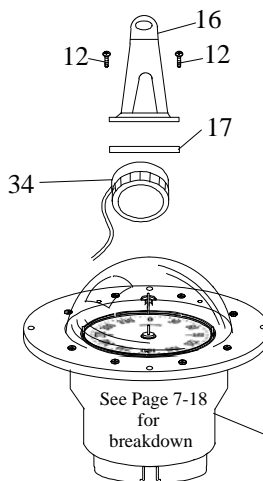
The B-500 is the YB-500 without the bracket or spheres



* 3 1/2" Sphere
4 & 5" Spheres are available, see page 7-22

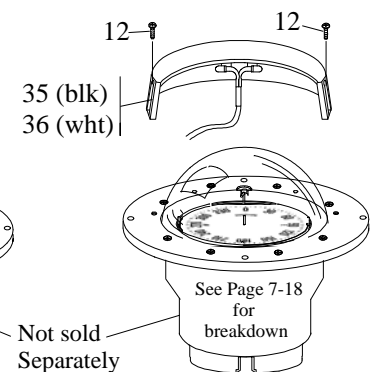
F-500 & FB-500

1965 to 1989



Not sold Separately

FB-500 1990 to present SS-5000, SS-5000W



Globemaster 5''

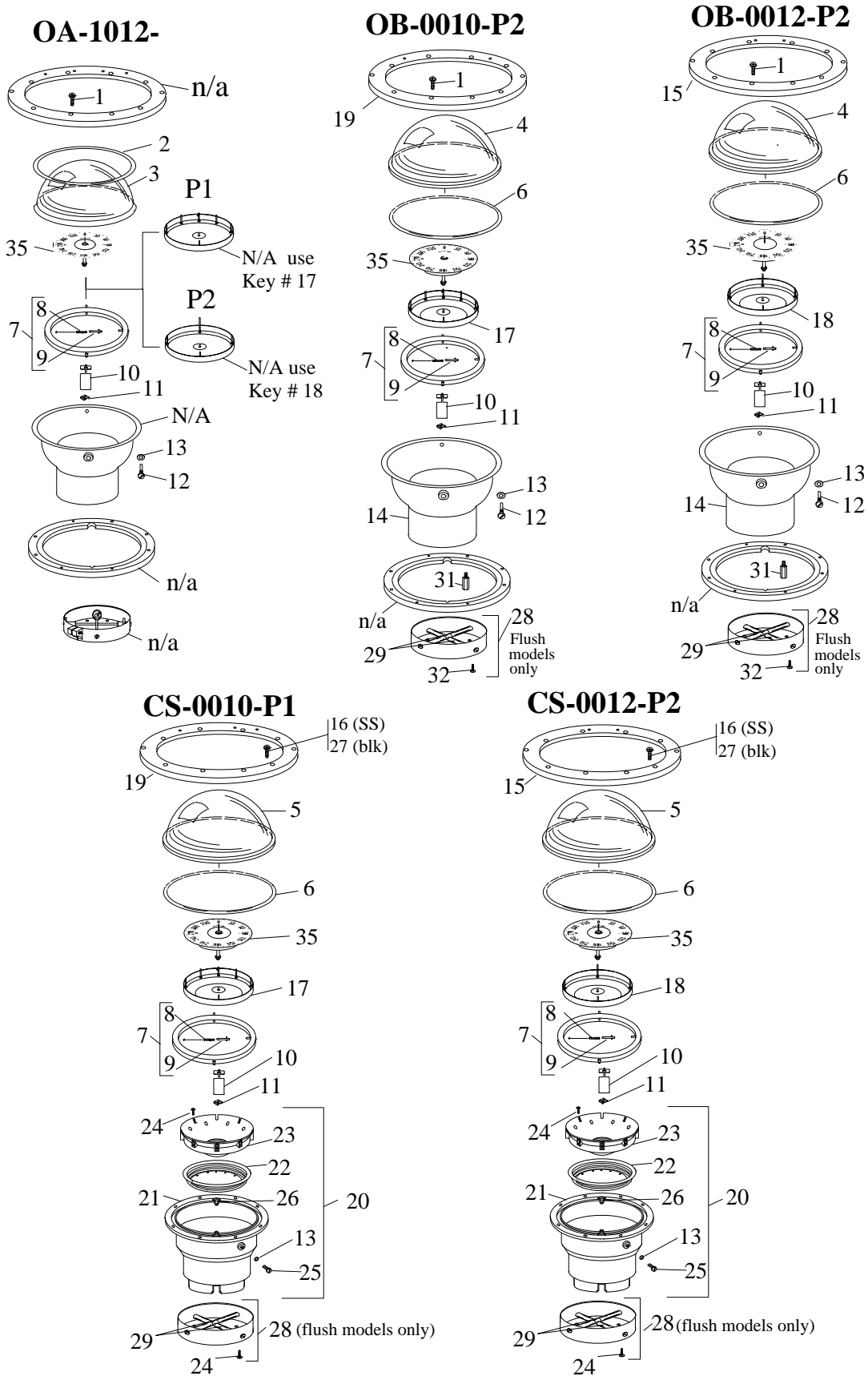
Flush & Bracket Mounts

1	5G-0053 BR	Hood, polished brass, <i>Includes Key #'s 9, 10, 11</i>
2	5G-0053 CM	Hood, chromed brass, <i>Includes Key #'s 9, 10, 11</i>
3	5G-0053 BLK	Hood, black painted SS, <i>Includes Key #'s 5, 6, 7, 8</i>
4	5G-0054 SS	Hood, polished SS, <i>Includes Key #'s 5, 6, 7, 8</i>
5	GM-0055	Spacer, for SS hoods
6	GM-0071	Spring washer, for SS hoods
7	GM-0068	Washer, for SS hoods
8	GM-0029	Nut, for SS hoods
9	GM-0070	Spring washer, for brass hoods
10	GM-0066	Cup washer, for brass hoods
11	GM-0028	Nut, for brass hoods
12	SH-0068	Screw, 6-32 x 5.16", light retaining
16	GM-0005	PowerLight Bracket
17	GM-0012	Gasket, powerlight bracket
21	GM-0048	Screw, 6-32 x 1/2" capsule to housing
22	CS-0010-P1	Replacement Capsule, w/ sail pan
23	CS-0010-P2	Replacement Capsule, w/ power pan
24	5G-0001 ASY	Adapter Ring, <i>Includes Key #'s 25 through 27</i>
25	GM-0053	Screw, hood detent
26	SH-0037	Nut, hood detent
27	GM-0058	Spring, hood detent
28	5G-0027	Bracket, sphere arm: model YB-500
29	5G-0099 ASY	Sphere, 3 1/2", <i>Includes Key #'s 30, 31, 32 (requires 2 per compass)</i>
30	5G-0024	Bolt 3 1/2", sphere
31	GM-0069	Washer, sphere bolt
32	GM-0031	Nut, sphere bolt
33	CS-20L1X	Old Sail Light, with 12 volt Bulb,

Power Light Assembly			Low Level Light Assembly		
34	GM-0023 ASY	Clear 12v Bulb & Red Lens	35	5G-0140 ASY	Black w/ Green 12v LED
	GM-0023 AS3	Clear 24/32v Bulb & Red Lens		5G-0160 ASY	Black w/ Green 24v LED
	GM-0086 ASY	Green 12v LED & Clear Lens		5G-0096 ASY	Black w/ Red 12v LED
	GM-0092 ASY	Green 24v LED & Clear Lens	36	5G-0141 ASY	White w/ Green 12v LED
	GM-0094 ASY	Red 12v LED & Clear Lens		5G-0161 ASY	White w/ Green 24v LED
	GM-0096 ASY	Red 24v LED & Clear Lens			
These are complete Compass lights including housings and LED's (or bulbs)					
For replacement Parts (LED's, Lens, LED Upgrade Kits, ect.) See pages 7-32 and 7-33					

Mounting Gasket for the FD-500's Part # **5G-0042**
 Mounting Gasket for the SB-500 & B-500 Part # **5G-0041**
 Mounting Gasket for the FB-500, SF-500 and the SS-5000's Part #**5G-0043**

Globemaster 5'' Capsule breakdown



Globemaster 5''

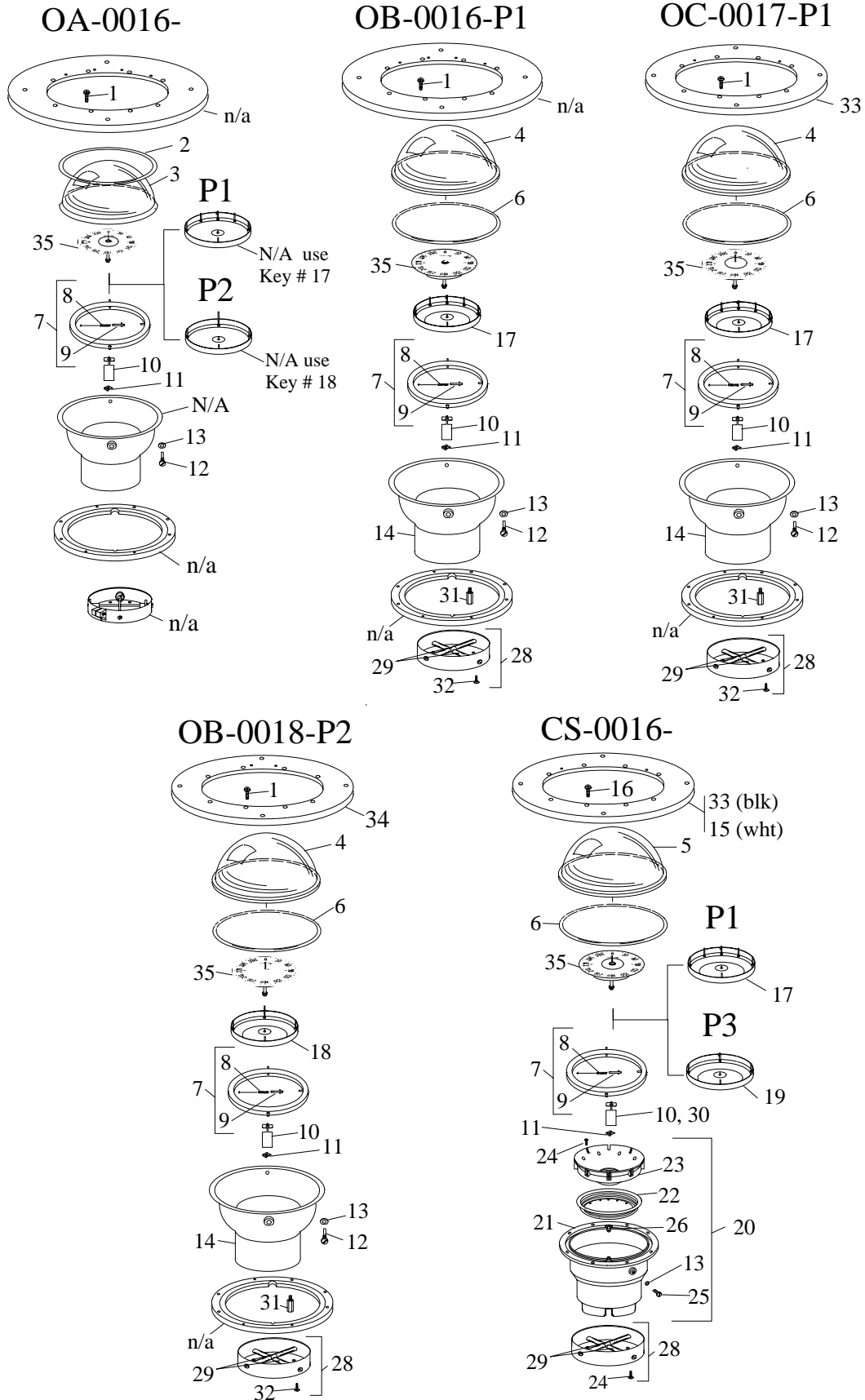
Select appropriate capsule			
Model #	1969 to 1980	1981 to 1990	1991 to present
515-EX, D-515-EX, SB-500	OA-1012-P1	OB-0010-P1	CS-0010-P1
515-X, D-515-X, YB-500	OA-1012-P2	OB-0012-P2	CS-0012-P2
FD-500-EB / EP / EX	OA-1012-P1	OB-0010-P1	CS-0010-P1
FD-500-B / P / X, B-500	OA-1012-P2	OB-0012-P2	CS-0012-P2
D-5-S-B, D-5-S-C, D-5-S-X	OA-1012-P2	OB-0012-P2	CS-0012-P2

1	GM-0048	Screw, 6-32 x 1/2" bezel
2	CS-04D1G1*	O-ring, for flare type dome
3	CS-04D1*	Dome, flare type
4	5G-0040*	Dome, ridge type w/ groove for o-ring
5	5G-0131	Dome, ridge type, no groove
6	5G-0078	O-ring, for ridge type dome
7	5G-0044 ASY	Gimbal Ring Assembly <i>Includes Key #'s 8 & 9</i>
8	GM-0059	Spring, gimbal pin
9	GM-0013	Gimbal Pin
10	5G-0002	Balance Tab
11	SH-0052	Retainer, balance tab
12	GM-0046	Fill Plug for metal bowl , 10-32 x 5/8"
13	SH-0039	O-ring, filler plug screw
14	5G-0026 ASY*	Bowl, bronze, with comp strap
15	5G-0008	Bezel, for brass housing, accepts power light
16	5G-0132	Screw, 5/8" bezel, stainless steal
17	5G-0082 ASY	Lubberline Pan, sail
18	5G-0081 ASY	Lubberline Pan, power
19	5G-0009	Bezel, for brass housing, accepts low level light
20	5G-0127 ASY	Bowl assembly <i>Includes Key # 13 & 21 though 26</i>
21	5G-0127	Bowl
22	5G-0129	Diaphragm
23	5G-0128	Retainer, diaphragm
24	5G-0094	Screw, 6 x 3/8", diaphragm retainer
25	SH-0059	Fill Plug, 10-32 x 3/8"
26	5G-0130	Boss, gimbal pin
27	5G-0145	Screw, 5/8", bezel, black anodized
28	5G-0034 ASY	Comp Cup Assembly <i>Includes Key #'s 24 & 29</i>
29	5G-0090 MAG	Rod, compensator assembly
31	5G-0086*	Spacer, comp cup
32	SH-0068	Screw, 6-32 x 5.16", light retaining

* Availability may be limited

Dial Selection		
The model number will not reflect what type of dial is in the compass. (except SS-5000's)		
key #	Part #	Description
35	5G-0135 ASY	5 degree PowerDamp dial, (black)
	5G-0135 STL	5 degree dial (black)
	5G-0133 ASY	2 degree PowerDamp dial without points, (black)
	5G-0133 STL	2 degree dial without points, (black)
	5G-0036 ASY	2 degree PowerDamp dial (black)
	5G-0036 STL	2 degree dial with points (black)
PowerDamp dials require Pan #'s 5G-0082ASY or 5G-0081ASY (key #'s 17 or 18)		
Some dials were produced special for OEM's. Choose a replacement dial from the list above or contact Ritchie's Service Department for OEM dial availability.		

Globemaster 5'' Capsule Breakdown



Globemaster 5''

Select appropriate capsule				
Model #	1969 to 1980	1981 to 1985	1986 to 1990	1991 to present
SF-500	OA-0016-P1	OB-0016-P1	OC-0017-P1	CS-0016-P1
F-500	OA-0016-P2	no longer in production		
FB-500		OB-0018-P2		CS-0016-P3
SS-5000, SS-5000W			OC-0017-P3	CS-0016-P3

1	GM-0048	Screw, 6-32 x 1/2" bezel
2	CS-04D1G1*	O-ring, for flare type dome
3	CS-04D1*	Dome, flare type
4	5G-0040*	Dome, ridge type w/ groove for o-ring
5	5G-0131	Dome, ridge type, no groove
6	5G-0078	O-ring, for ridge type dome
7	5G-0044 ASY	Gimbal Ring Assembly, <i>Includes Key #'s 8 & 9</i>
8	GM-0059	Spring, gimbal pin
9	GM-0013	Gimbal Pin
10	5G-0002	Balance Tab
11	SH-0052	Retainer, balance tab
12	GM-0046	Fill Plug for metal bowl , 10-32 x 5/8"
13	SH-0039	O-ring, fill plug screw
14	5G-0026 ASY*	Bowl, bronze, with ,/ strap.
15	5G-0142	Bezel, flush, white, accepts low Level light
16	5G-0132	Screw, 6-20 x 5/8" bezel
17	5G-0082 ASY	Lubberline Pan, sail
18	5G-0081 ASY	Lubberline Pan, power
19	5G-0083 ASY	Lubberline Pan, power plus
20	5G-0127 ASY	Bowl Assembly, <i>Includes Key # 13 & 21 though 26</i>
21	5G-0127	Bowl
22	5G-0129	Diaphragm
23	5G-0128	Retainer, diaphragm
24	5G-0094	Screw, 6 x 3/8", diaphragm retainer
25	SH-0059	Fill Plug, 10-32 x 3/8"
26	5G-0130	Boss, gimbal pin
28	5G-0034 ASY	Cup, compensator assembly <i>Includes Key #'s 29 & 30</i>
29	5G-0090 MAG	Rod, compensator compass requires 2
30	5G-0143	Balance Tab for the SS-5000
31	5G-0086*	Spacer, comp cup
32	SH-0068	Screw, 6-32 x 5.16", comp cup
33	5G-0011	Bezel, flush, black, accepts Low Level light
34	5G-0010*	Bezel, flush, black, accepts Power Light

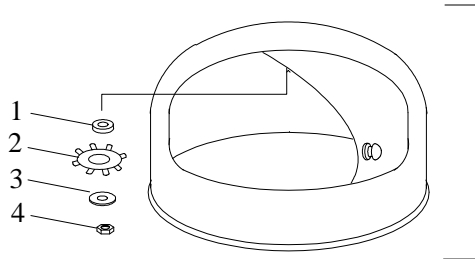
*Availability may be Limited

Dial Selection		
The model number will not reflect what type of dial is in the compass. (except SS-5000's)		
Key #	Part #	Description
35	5G-0135 ASY	5 degree PowerDamp dial, (black)
	5G-0135 STL	5 degree dial (black)
	5G-0133 ASY	2 degree PowerDamp dial without points, (black)
	5G-0133 STL	2 degree dial without points, (black)
	5G-0036 ASY	2 degree PowerDamp dial (black)
	5G-0036 STL	2 degree dial with points (black)
	5G-0038 ASY	5 degree PowerDamp Plus, (blue)
PowerDamp dials require Pan #'s 5G-0082ASY or 5G-0081ASY (Key #'s 17 or 18)		

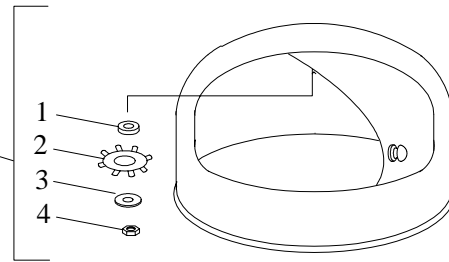
Globemaster 6''

615-P, 615-B, 615-EP, 615-EB, D-615-P, D-615-B, D-615-EP, D-615-EB

D-615-EP & D-615-EB

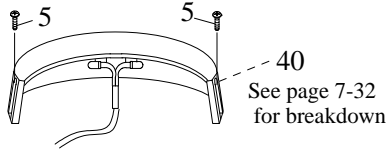


D-615-P & D-615-B



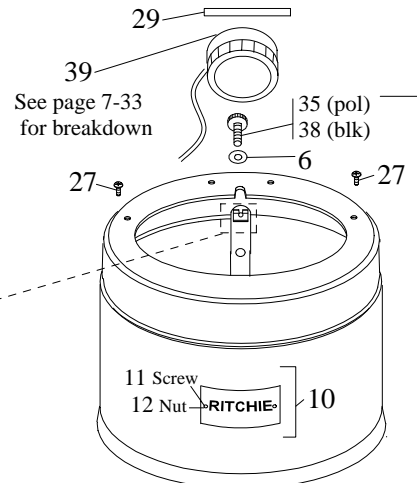
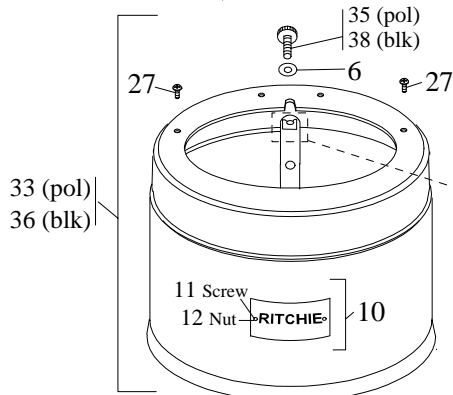
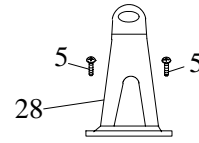
34 (pol)
37 (blk)

615-EP & 615-EB



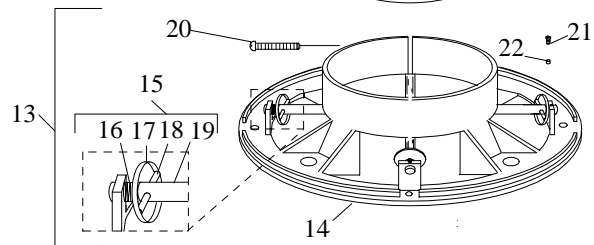
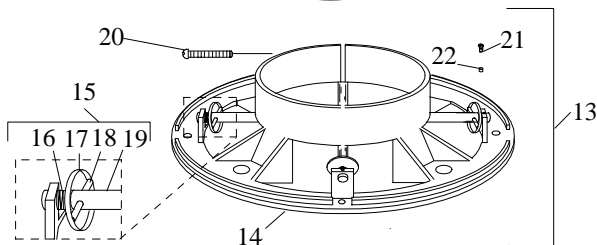
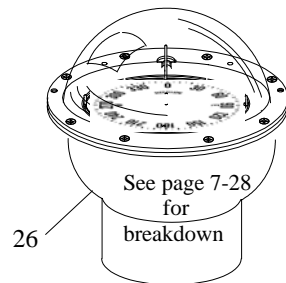
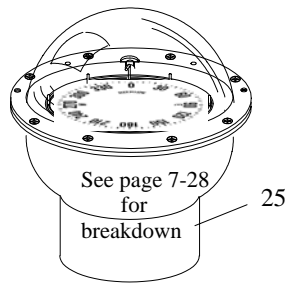
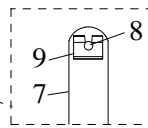
The 615's are D-615's without the Hood.

615-P & 615-B



33 (pol)
36 (blk)

33 (pol)
36 (blk)



Globemaster 6''

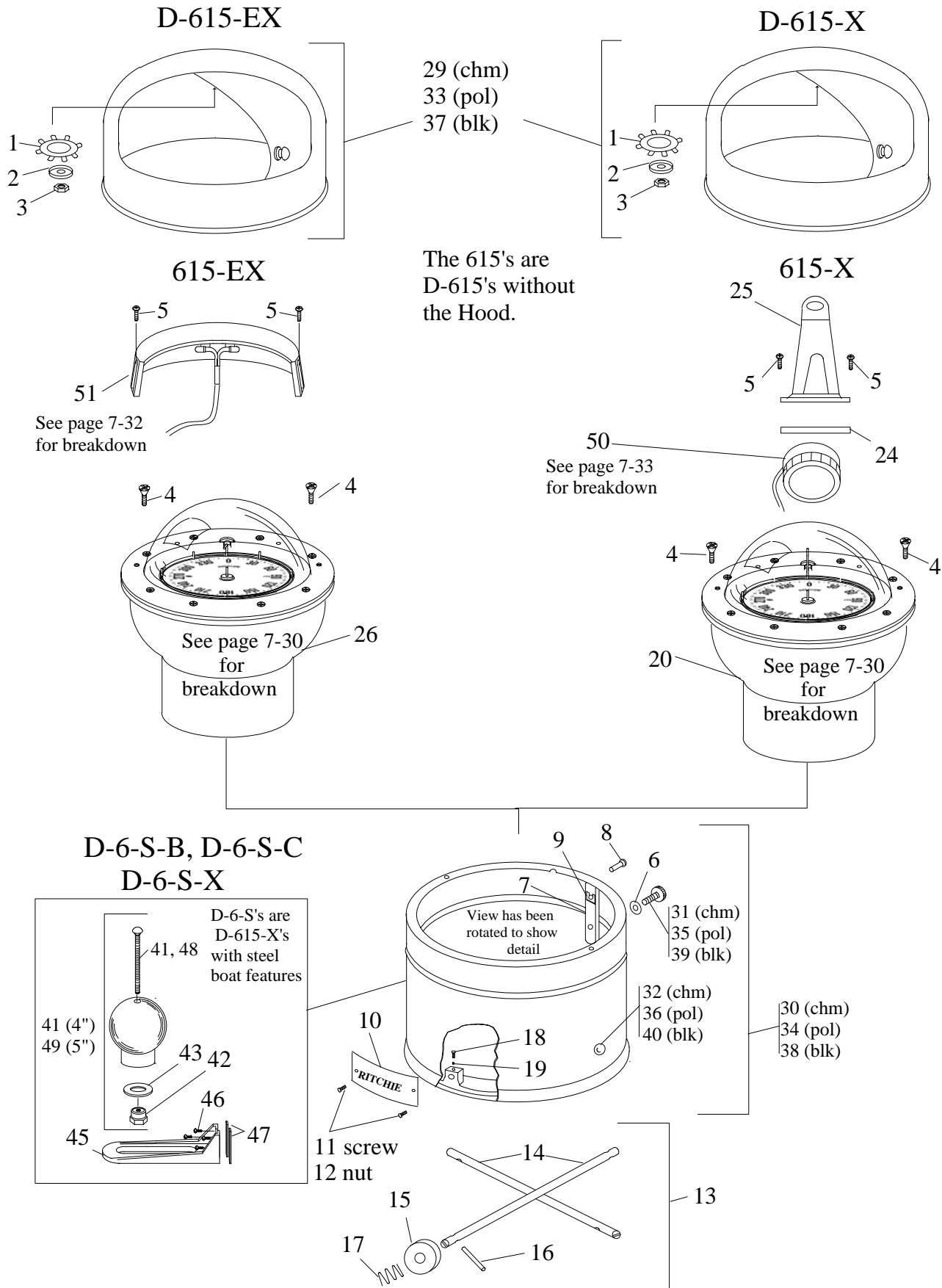
Stainless Steel Binnacle Mounts

1	GM-0055	Spacer, hood retaining	ALL
2	GM-0071	Spring washer, hood retaining	
3	GM-0068	Washer, hood retaining	
4	GM-0029	Nut, hood retaining	
5	SH-0068	Screw, 6-32 x 5.16", light retaining	
6	GM-0072	Washer, thumbscrew	
7	GM-0022	Lever, hood retaining	
8	GM-0054	Binder Button	
9	SH-0052	Retainer, binder button	
10	GM-0027	Nameplate	
11	GM-0047	Screw, 3-48 x 1/4", nameplate	
12	GM-0030	Nut, 3-48, nameplate	
13	6G-0005 ASY	Base Assembly, bronze	
14	6G-0005 ASY	Base, bronze, <i>Includes Key #'s 14 through 22</i>	
15	CS-0014 KIT	Compensator Kit, (2 rods) <i>Includes Key #'s 16, 17, 18, 19</i>	
16	GM-0057	Spring, compensator magnet retainer	
17	6G-0060	Retainer, compensator magnet	
18	6G-0074	Magnet, compensator	
19	6G-0061	Rod, compensator	
20	GM-0052	Screw, clamping	
21	GM-0075	Screw, compensator rod locking	
22	GM-0032	Binder, compensator rod locking	
25	CS-0006-P1	Replacement Capsule, w/ sail pan	615-EP, D-615-EP, 615-EB, D-615-EB
26	CS-0006-P2	Replacement Capsule, w/ power pan	615-P, D-615-P, 615-B, D-615-B
27	GM-0050	Screw, locking retainer	
28	GM-0005	Bracket, light	
29	GM-0012	Gasket, light bracket	
33	6G-0020 SS	Binnacle Housing, polished SS, <i>Includes Key #'s 6 though 12 & 35</i>	615-EP, D-615-EP, 615-P, D-615-P
34	6G-0047 SS	Hood Assembly, polished SS, <i>Includes Key #'s 1,2,3,4</i>	
35	GM-0065	Thumbscrew, chrome	
36	6G-0020 BLK	Binnacle Housing, black, <i>Includes Key #'s 6 though 12 & 38</i>	615-EB, D-615-EB, 615-B, D-615-B
37	6G-0047 BLK	Hood Assembly, black wrinkle finish, <i>Includes Key #'s 1,2,3,4</i>	
38	GM-0063	Thumbscrew, black wrinkle finish	

Power Light Assembly			Low Level Light Assembly		
39	GM-0023 ASY	Clear 12v Bulb & Red Lens	40	6G-0087 ASY	Green 12v LED
	GM-0023 AS3	Clear 24/32v Bulb & Red Lens		6G-0090 ASY	Green 24v LED
	GM-0086 ASY	Green 12v LED & Clear Lens		6G-0065 ASY	Red 12v LED
	GM-0092 ASY	Green 24v LED & Clear Lens			
	GM-0094 ASY	Red 12v LED & Clear Lens			
	GM-0096 ASY	Red 24v LED & Clear Lens			
These are complete Compass lights including housings and LED's (or bulbs)					
For replacement Parts (LED's, Lens, LED Upgrade Kits, ect.) See pages 7-32 and 7-33					

Globemaster 6''

615-X, 615-EX, D-615-X, D-615-EX, D-6-S-B, D-6-S-C, D-6-S-X



Globemaster 6''

Brass Binnacle Mounts

1	GM-0070	Spring washer, hood retaining	ALL
2	GM-0066	Cup washer, hood retaining	
3	GM-0028	Nut, hood retaining	
4	GM-0048	Screw, 6-32 x 1/2" capsule to housing	
5	SH-0068	Screw, 6-32 x 5.16", light retaining	
6	GM-0072	Washer, thumbscrew	
7	GM-0022	Lever, hood retaining	
8	GM-0054	Binder Button	
9	SH-0052	Retainer, binder button	
10	GM-0027	Nameplate, <i>Includes Key #'s 11 & 12</i>	
11	GM-0047	Screw, 3-48 x 1/4", nameplate	
12	GM-0030	Nut, 3-48, nameplate	
13	CS-0014 KIT	Compensator kit, <i>Includes Key #'s 14(2) 15(4) 16(4) 17(2) 18(1) 19(1)</i>	
14	6G-0061	Compensator Rod	
15	6G-0060	Retainer, compensator magnet	
16	6G-0074	Magnet, compensator	
17	GM-0057	Spring, compensator magnet retainer	
18	GM-0075	Screw, compensator rod locking	
19	GM-0032	Binder, compensator rod locking	
20	CS-0004-P2	Replacement Capsule, w/ power pan	615-X, D-615-X,
24	GM-0012	Gasket, PowerLight Bracket	D-6-S-B,
25	GM-0005	PowerLight Bracket	D-6-S-C,
26	CS-0007-P1	Replacement Capsule, w/ sail pan	615-EX,
29	6G-0046 CM	Hood Assembly, chrome, <i>Includes Key #'s 1, 2, 3</i>	D-6-S-C
30	6G-0018 ASY	Binnacle Assembly, chrome, <i>Includes Key #'s 6-17, 31, 32(4)</i>	D-6-S-C
31	GM-0065	Thumbscrew, chrome	
32	GM-0037	Plug, compensator, chrome	
33	6G-0046 BR	Hood Assembly, polished brass, <i>Includes Key #'s 1, 2, 3</i>	615-X, D-615-X,
34	6G-0019 ASY	Binnacle Assembly, brass, <i>Includes Key #'s 6 through 17, 35, 36(4)</i>	D-6-S-X,
35	GM-0064	Thumbscrew, polished brass	615-EX,
36	GM-0036	Plug, compensator, polished brass	D-615-EX
37	6G-0046 BLK	Hood Assembly, black wrinkle, <i>Includes Key #'s 1, 2, 3</i>	D-6-S-B
38	6G-0016 ASY	Binnacle Assembly, black, <i>Includes Key #'s 6 through 17, 39, 40(4)</i>	
39	GM-0063	Thumbscrew, black wrinkle finish	
40	GM-0035	Plug, compensator, black wrinkle	D-6-S-B, D-6-S-C, D-6-S-X
41	6G-0066 ASY	Sphere, 4" <i>Includes Key #'s 42, 43, 44 (requires 2 per compass)</i>	
42	GM-0031	Nut, sphere bolt	
43	GM-0069	Washer, sphere bolt	
44	6G-0021	Bolt, for 4" sphere	
45	6G-0024	Sphere Bracket (requires 2 per compass)	
46	GM-0045	Screw, 10-32 x 5/8", bracket mounting, (requires 4 per bracket)	
47	GM-0034	Mounting Plate for sphere bracket (requires 2 per bracket)	
48	GM-0003	Bolt, for 5" sphere	
49	GM-0056 ASY	Sphere, 5" <i>Includes Key #'s 42, 43, 48 (requires 2 per compass)</i>	Optional Spheres

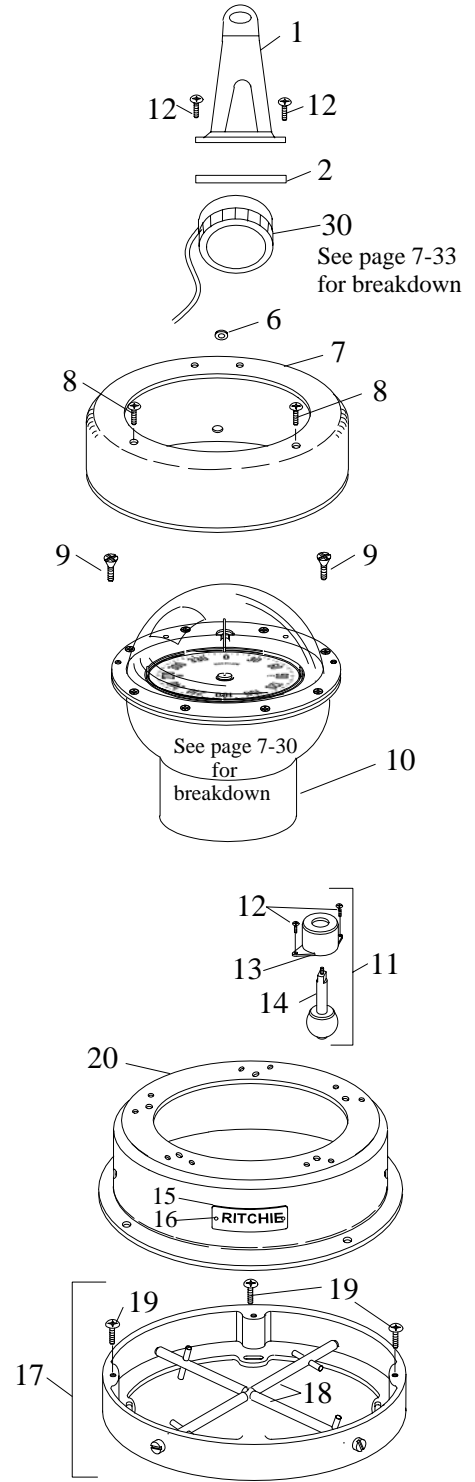
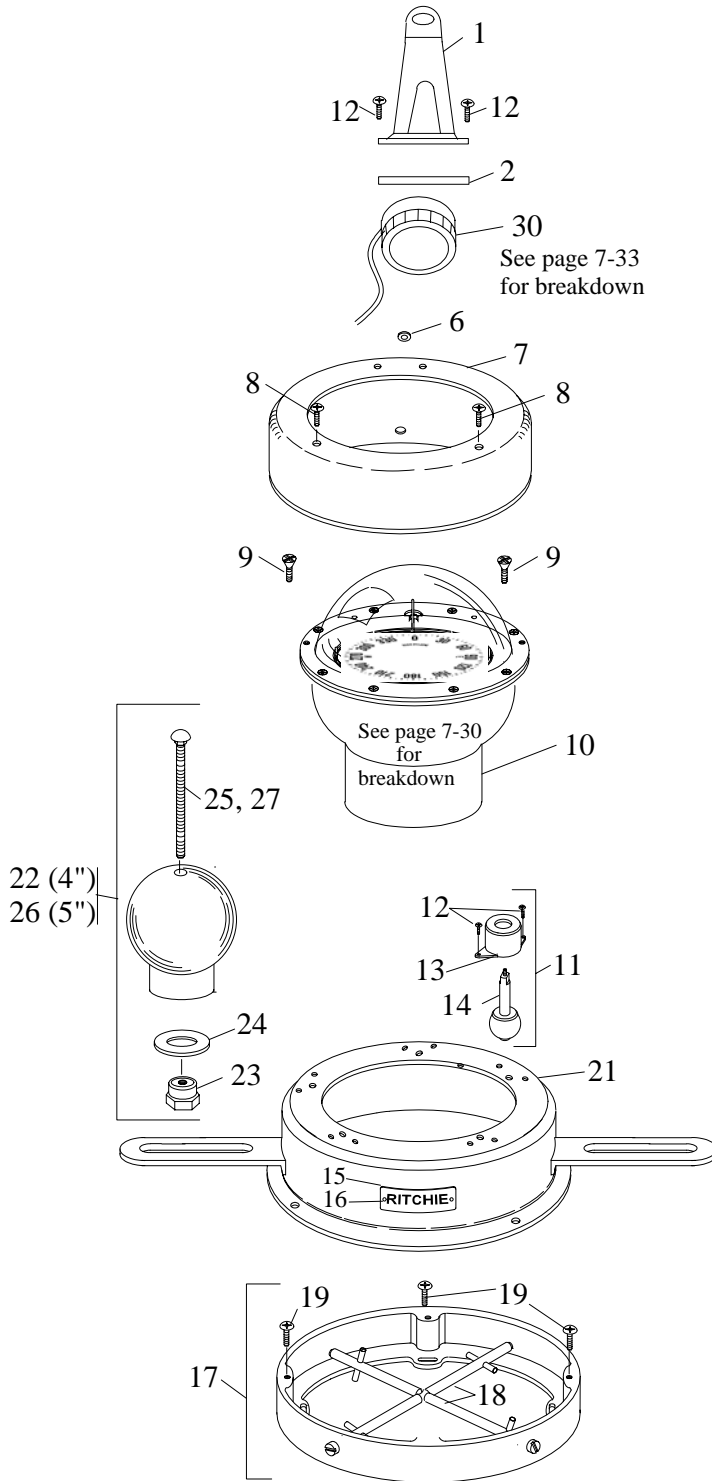
Power Light Assembly			Low Level Light Assembly		
50	GM-0023 ASY	Clear 12v Bulb & Red Lens	51	6G-0087 ASY	Green 12v LED
	GM-0023 AS3	Clear 24/32v Bulb & Red Lens		6G-0090 ASY	Green 24v LED
	GM-0086 ASY	Green 12v LED & Clear Lens		6G-0065 ASY	Red 12v LED
	GM-0092 ASY	Green 24v LED & Clear Lens			
	GM-0094 ASY	Red 12v LED & Clear Lens			
	GM-0096 ASY	Red 24v LED & Clear Lens			
These are complete Compass lights including housings and LED (or bulbs)					
For replacement Parts (LED's, Lens, LED Upgrade Kits, ect.) See pages 7-32 and 7-33					

Globemaster 6''

B-463 & C-463

B-463

C-463



Globemaster 6''

Shock Mounts

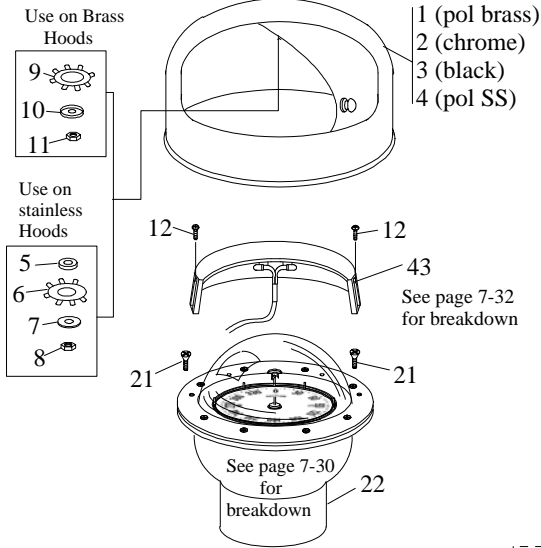
1	GM-0005	PowerLight Bracket	B-463 & C-463
2	GM-0012	Gasket, powerlight bracket	
6	SH-0020	Grommet, light wire hole	
7	6G-0015	Upper Housing,	
8	GM-0050	Screw, locking retainer	
9	GM-0048	Screw, 6-32 x 1/2"	
10	CS-0006-P2	Replacement Capsule, w/ power pan	
11	GM-0080	Shock Assembly, <i>Includes Key #'s 12, 13, 14,</i> (requires 5 per compass)	
12	SH-0068	Screw, 6-32 x 5.16", light retaining	
13	GM-0041	Housing, shock mount	
14	GM-0001 ASY	Shock Balloon	
15	GM-0027	Nameplate, <i>Includes Key #'s 16</i>	
16	GM-0047	Screw, 3-48 x 1/4", nameplate	
17	6G-0004 ASY	Compensator Base assembly	
18	6G-0062 ASY	Compensator Rod (requires 2 per compass)	
19	6G-0064	Screw, 10-24 x 5/8", for 6" comp plate	B-463
20	6G-0014	Binnacle Base: model C-463	
21	6G-0013	Binnacle Base model B-463	
22	6G-0066 ASY	Sphere, 4" <i>Includes Key #'s 23, 24, 25</i> (requires 2 per compass)	
23	GM-0031	Nut, sphere bolt	
24	GM-0069	Washer, sphere bolt	Optional Sphere size
25	6G-0021	Bolt, for 4" sphere	
26	GM-0056 ASY	Sphere, 5" <i>Includes Key #'s 23, 24, 29</i> (requires 2 per compass)	
29	GM-0003	Bolt, for 5" sphere	

Power Light Assembly					
30	GM-0023 ASY	Clear 12v Bulb & Red Lens	30	GM-0092 ASY	Green 24v LED & Clear Lens
	GM-0023 AS3	Clear 24/32v Bulb & Red Lens		GM-0094 ASY	Red 12v LED & Clear Lens
	GM-0086 ASY	Green 12v LED & Clear Lens		GM-0096 ASY	Red 24v LED & Clear Lens
These are complete Compass lights including housings and LED's (or bulbs)					
For replacement Parts (LED's, Lens, LED Upgrade Kits, ect.) See page 7-33					

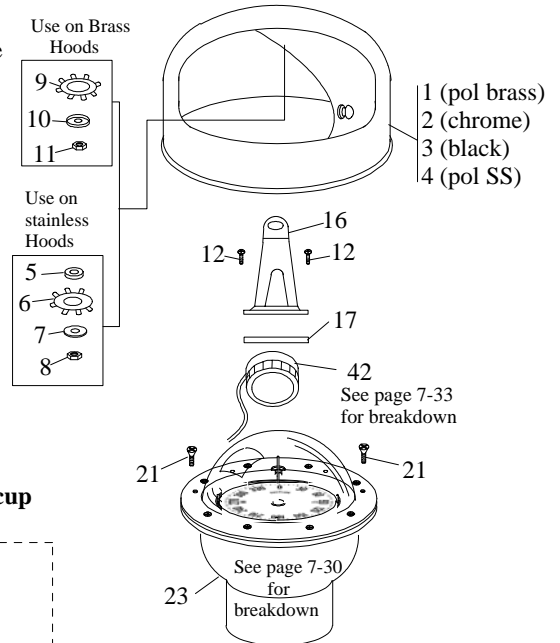
Globemaster 6''

FD-600-EB, FD-600-B, FD-600-EP, FD-600-P, FD-600-EX, FD-600-X, F-600, SF-600, YB-600

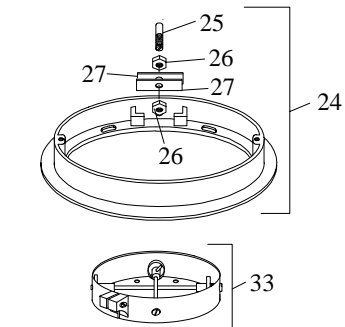
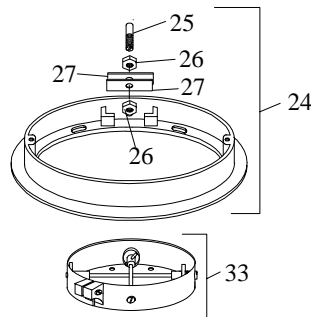
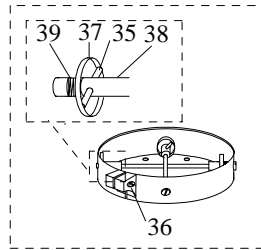
FD-600-EB, FD-600-EP, FD-600-EX



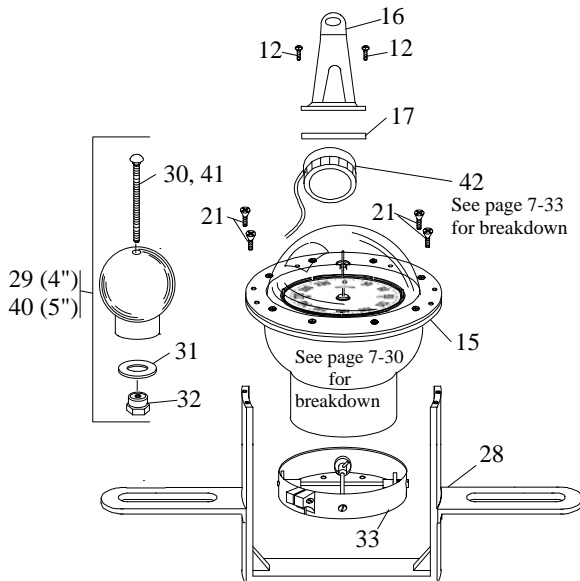
B-600, FD-600-B, FD-600-P, FD-600-X



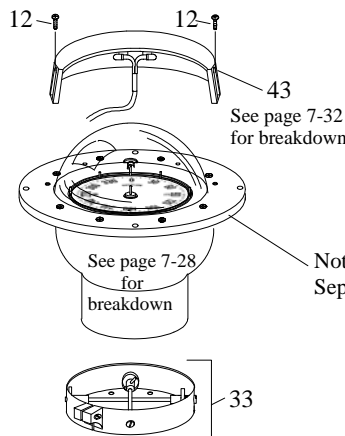
Compensator cup Breakdown



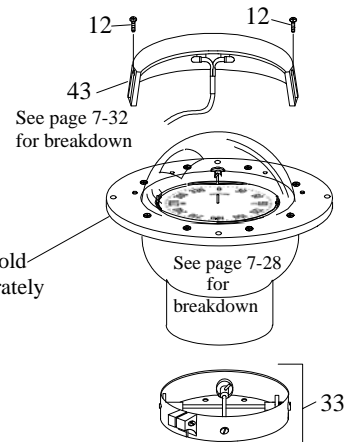
YB-600



F-600



SF-600



Not sold Separately

Globemaster 6''

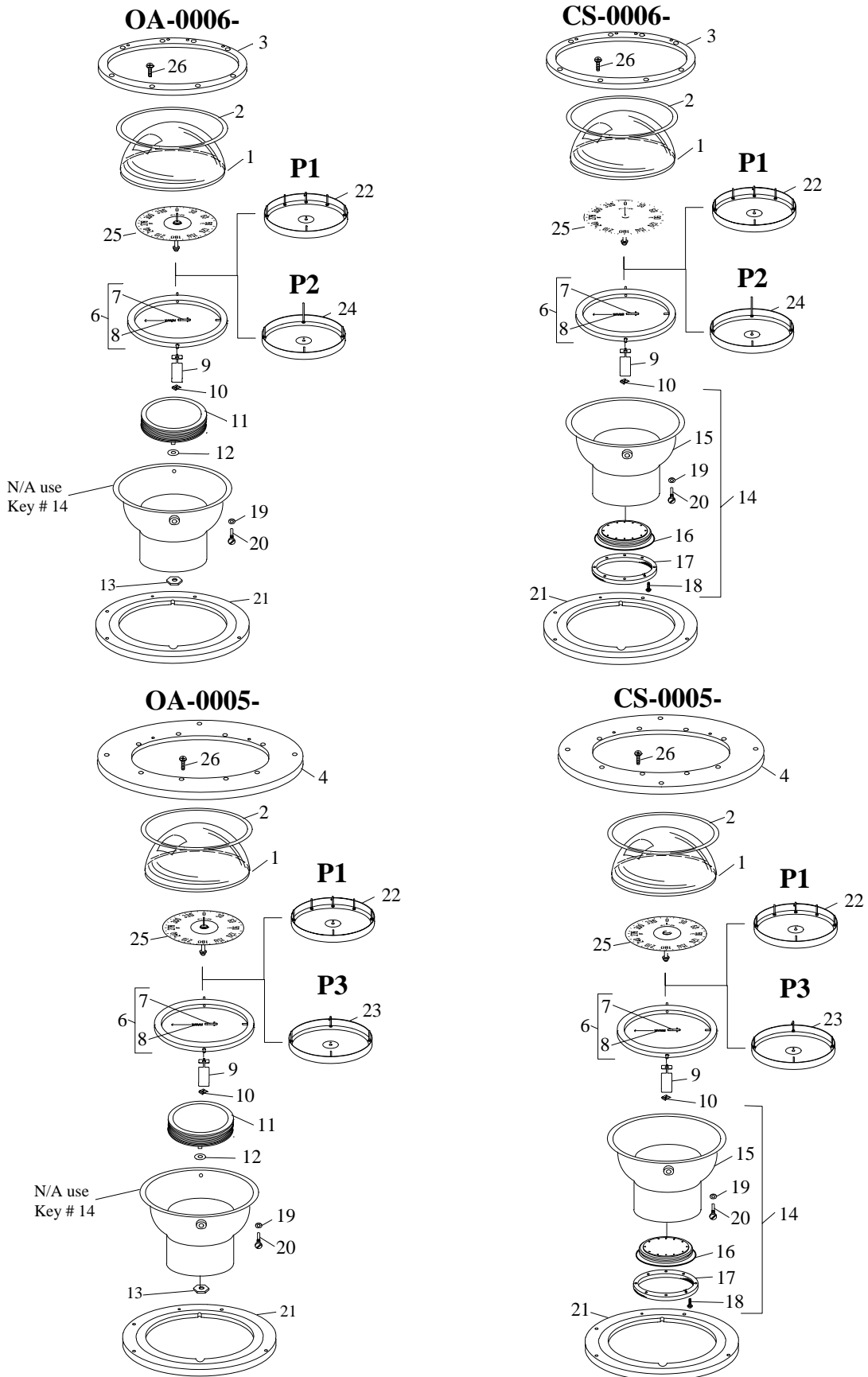
Flush & Bracket Mounts

1	6G-0046 BR	Hood, polished brass, <i>Includes Key #'s 9, 10, 11</i>
2	6G-0046 CM	Hood, chromed brass, <i>Includes Key #'s 9, 10, 11</i>
3	6G-0047 BLK	Hood, black painted SS, <i>Includes Key #'s 5, 6, 7, 8</i>
4	6G-0047 SS	Hood, polished SS, <i>Includes Key #'s 5, 6, 7, 8</i>
5	GM-0055	Spacer, for SS hoods
6	GM-0071	Spring Washer, for SS hoods
7	GM-0068	Washer, for SS hoods
8	GM-0029	Nut, for SS hoods
9	GM-0070	Spring Washer, for brass hoods
10	GM-0066	Cup Washer, for brass hoods
11	GM-0028	Nut, for brass hoods
12	SH-0068	Screw, 6-32 x 5.16", light retaining
15	CS-0008-P2	Replacement Capsule, w/ power pan, YB-600
16	GM-0005	PowerLight Bracket
17	GM-0012	Gasket, powerlight bracket
21	GM-0048	Screw, 6-32 x 1/2" capsule to housing
22	CS-0007-P1	Replacement Capsule, w/ sail pan, accepts low light
23	CS-0004-P2	Replacement Capsule, w/ power pan, accepts power light
24	6G-0001 ASY	Adaptor Ring, <i>Includes Key #'s 25 through 27</i>
25	GM-0053	Screw, hood detent
26	SH-0037	Nut, hood detent
27	GM-0058	Spring, hood detent
28	6G-0023	Bracket, sphere arm: Model YB-500
29	6G-0066 ASY	Sphere, 4", <i>Includes Key #'s 30, 31, 32 (requires 2 per compass)</i>
30	6G-0021	Bolt, for 4" sphere
31	GM-0069	Washer, sphere bolt
32	GM-0031	Nut, Sphere bolt
33	6G-0029 ASY	Compensator Assembly, cup type, <i>Includes Key #'s 35 through 39</i>
35	6G-0074	Magnet, compensator,
36	GM-0052	Screw, clamping
37	6G-0060	Retainer, compensator magnet,
38	6G-0063	Rod, compensator,
39	GM-0057	Spring, compensator magnet retainer
40	GM-0056 ASY	Sphere, 5", <i>Includes Key #'s 30, 31, 32 (requires 2 per compass)</i>
41	GM-0003	Bolt, for 5" sphere

Power Light Assembly			Low Level Light Assembly		
42	GM-0023 ASY	Clear 12v Bulb & Red Lens	43	6G-0087 ASY	Green 12v LED
	GM-0023 AS3	Clear 24/32v Bulb & Red Lens		6G-0090 ASY	Green 24v LED
	GM-0086 ASY	Green 12v LED & Clear Lens		6G-0065 ASY	Red 12v LED
	GM-0092 ASY	Green 24v LED & Clear Lens			
	GM-0094 ASY	Red 12v LED & Clear Lens			
	GM-0096 ASY	Red 24v LED & Clear Lens			
These are complete Compass lights including housings and LED'S (or bulbs)					
For replacement Parts (LED's, Lens, LED Upgrade Kits, ect.) See pages 7-32 and 7-33					

Mounting Gasket for the FD-600's Part # **6G-0036**
 Mounting Gasket for the SF-600 & F-600 Part # **6G-0035**

Globemaster 6'' Capsule Breakdown



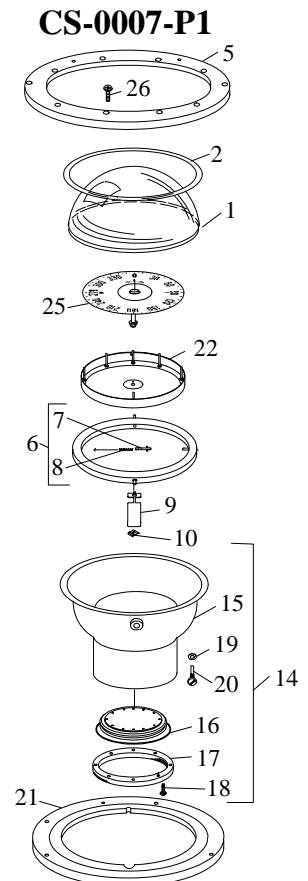
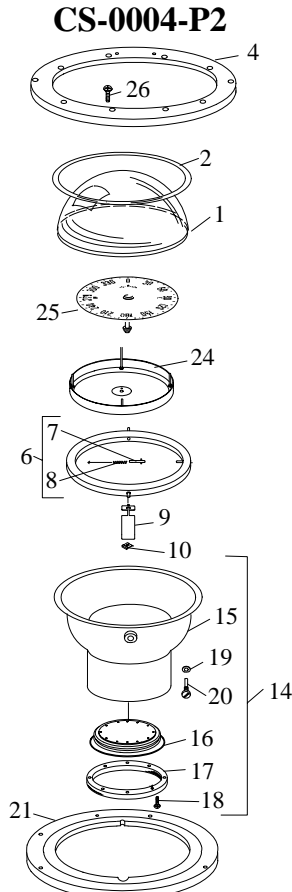
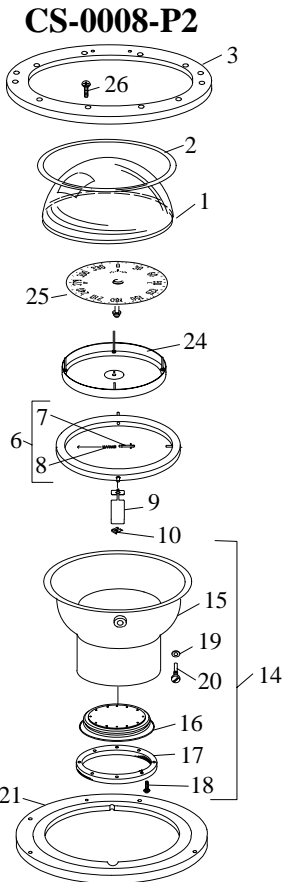
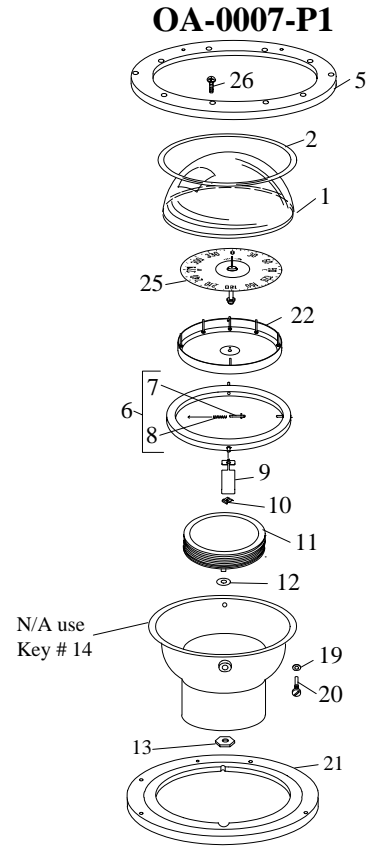
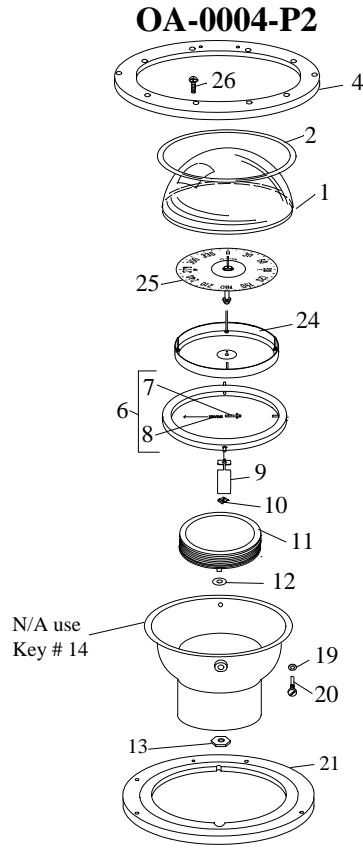
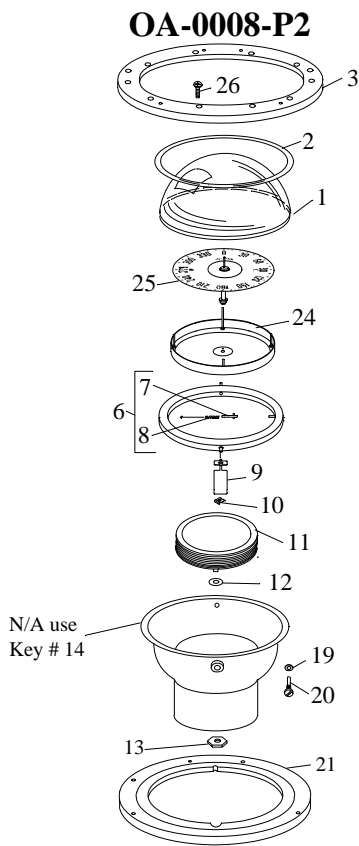
Globemaster 6''

Select Appropriate Capsule		
Model #	1969 to 1994	1995 to present
D-615-B, D-615-P, 615-B, 615-P, B-463, C-463	OA-0006-P2	CS-0006-P2
D-615-EB, D-615-P, 615-EB, 615-EP	OA-0006-P1	CS-0006-P1
F-600	OA-0005-P3	CS-0005-P3
SF-600	OA-0005-P1	CS-0005-P1

1	6G-0033	Dome
2	6G-0057	O-ring
3	6G-0009	Bezel; 7 1/8"
4	6G-0076	Bezel; 9"
6	6G-0037 ASY	Gimbal Ring Assembly, <i>Includes Key #'s 7 & 8</i>
7	GM-0059	Spring, gimbal pin
8	GM-0013	Gimbal Pin
9	6G-0002	Balance Tab
10	SH-0052	Retainer, balance tab
11	6G-0034 ASY	Expansion chamber assembly, for old style bowl
12	6G-0073	Gasket, expansion chamber, for old style bowl
13	6G-0056	Nut, expansion chamber, for old style bowl
14	6G-0081 ASY	Bowl assembly, new style <i>Includes key #'s 15 through 20</i>
15	6G-0083 ASY	Bowl (w/out diaphragm)
16	5G-0129	Diaphragm
17	6G-0084	Retainer, diaphragm
18	6G-0085	Screw, diaphragm retaining
19	SH-0039	O-ring, fill plug screw
20	GM-0046	Screw, fill plug
21	6G-0028	Ring, clamping
22	6G-0059 ASY	Pan Assembly, sail
23	6G-0079 ASY	Pan Assembly, model F-600
24	6G-0058 ASY	Pan Assembly, power
26	GM-0048	Screw, 6-32 x 1/2" bezel

Dial Selection		
The model number will not reflect what type of dial is in the compass.		
Key #	Part #	Description
25	6G-0030 ASY	Dial Assembly, black, 2° increments
	6G-0031 ASY	Dial Assembly, black, 5° increments
Some dials were produced special for OEM's. Choose a replacement dial from the list above or contact Ritchie's Service Department for OEM dial availability.		

Globemaster 6'' Capsule Breakdown



Globemaster 6''

Select Appropriate Capsule		
Model #	1969 to 1994	1995 to present
615-X, D-615-X, D-6S-B, D-6S-C, D-6S-S	OA-0004-P2	CS-0004-P2
B-600, B-610, FD-600-B, FD-600-P, FD-600-X	OA-0004-P2	CS-0004-P2
615-EX, D-615-EX, FD-600-EP/ EB/ EX	OA-0007-P1	CS-0007-P1
YB-600	OA-0008-P2	CS-0008-P2

1	6G-0033	Dome
2	6G-0057	O-ring
3	6G-0011	Bezel; 8" for YB-600
4	6G-0008	Bezel; 8" , power light
5	6G-0012	Bezel; 8", low level light
6	6G-0037 ASY	Gimbal Ring Assembly, <i>Includes key #'s 7 & 8</i>
7	GM-0059	Spring, gimbal pin
8	GM-0013	Gimbal Pin
9	6G-0002	Balance Tab
10	SH-0052	Retainer, balance tab
11	6G-0034 ASY	Expansion Chamber Assembly, for old style bowl
12	6G-0073	Gasket, expansion chamber, for old style bowl
13	6G-0056	Nut, expansion chamber, for old style bowl
14	6G-0081 ASY	Bowl Assembly, new style, <i>Includes key #'s 15 to 20</i>
15	6G-0083 ASY	Bowl (w/out diaphragm)
16	5G-0129	Diaphragm
17	6G-0084	Retainer, diaphragm
18	6G-0085	Screw, diaphragm retaining
19	SH-0039	O-ring, fill plug screw
20	GM-0046	Screw, fill plug
21	6G-0028	Ring, clamping
22	6G-0059 ASY	Pan Assembly, sail
24	6G-0058 ASY	Pan Assembly, power
26	GM-0048	Screw, 6-32 x 1/2" bezel

Dial Selection		
The model number will not reflect what type of dial is in the compass.		
Key #	Part #	Description
25	6G-0030 ASY	Dial Assembly, black, 2° increments
	6G-0031 ASY	Dial Assembly, black, 5° increments
Some dials were produced special for OEM's. Choose a replacement dial from the list above or contact Ritchie's Service Department for OEM dial availability.		

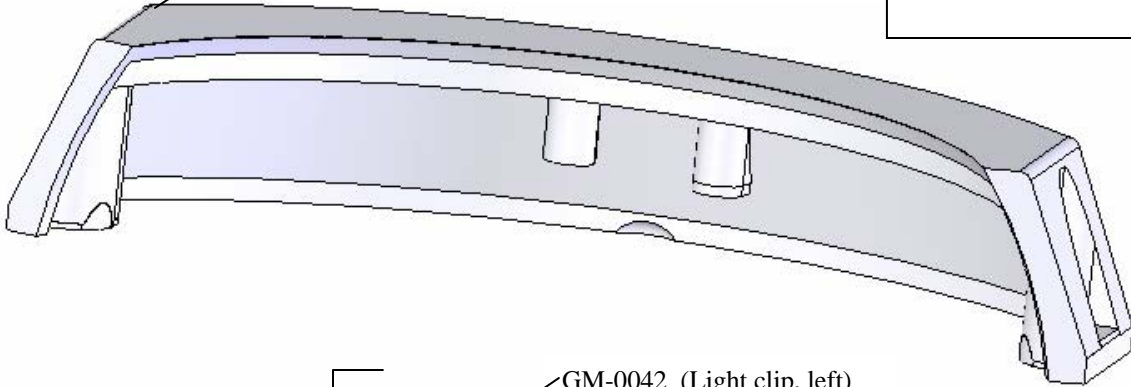
Globemaster 5 & 6''

Low Level Lighting

Light shield (ships without LED's)*

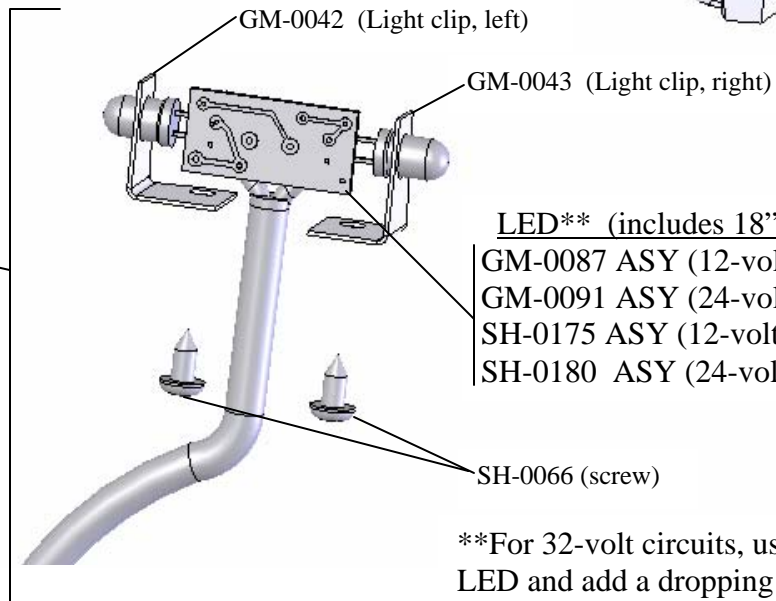
- 5G-0096 (Black, used on 5'' Globemasters)
- 5G-0141 (White, used on 5'' Globemasters)
- 6G-0065 (Black, used on 6'' Globemasters)

*For Complete Light Shield (ships with LED, clips and screws) see appropriate Compass breakdown in this manual.



Lighting Kit (LED, clips & screws)

- CS-0002 KIT (12-volt Green)
- CS-0003 KIT (12-volt Red)



LED** (includes 18'' of wire)

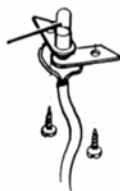
- GM-0087 ASY (12-volt Green)
- GM-0091 ASY (24-volt Green)
- SH-0175 ASY (12-volt Red)
- SH-0180 ASY (24-volt Red)

SH-0066 (screw)

**For 32-volt circuits, use a 12-volt LED and add a dropping resistor
Ritchie Part # SH-0126-330

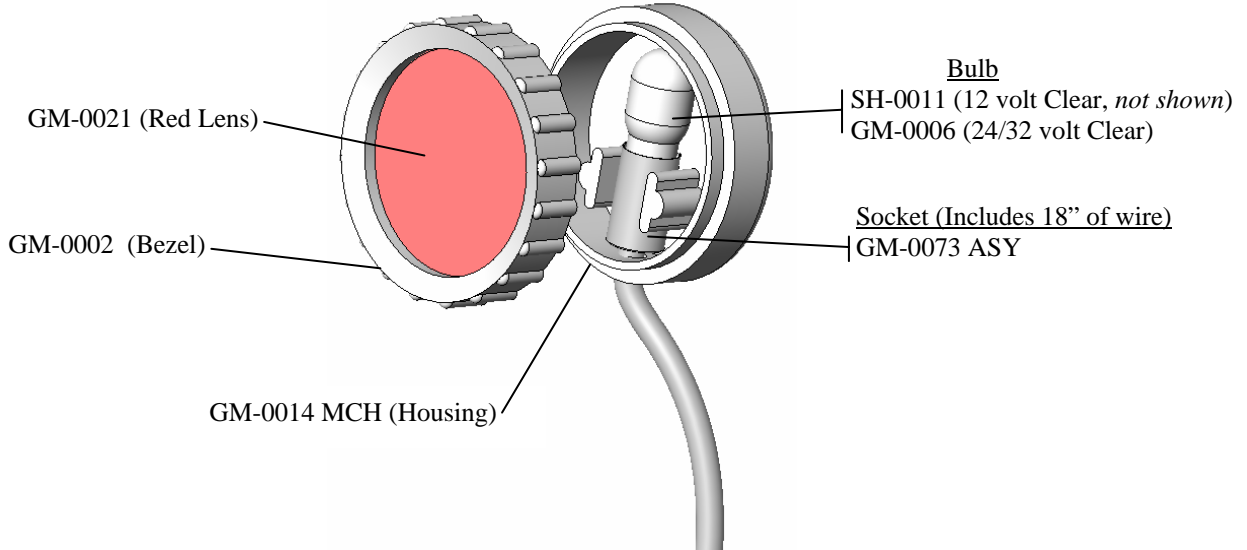
Some older LED's may not resemble the new style (shown). The new LED's are direct replacements.

Note: Older Globemasters were equipped with incandescent bulbs that are no longer available. You can upgrade to the LED by ordering any of the Lighting Kits listed above.

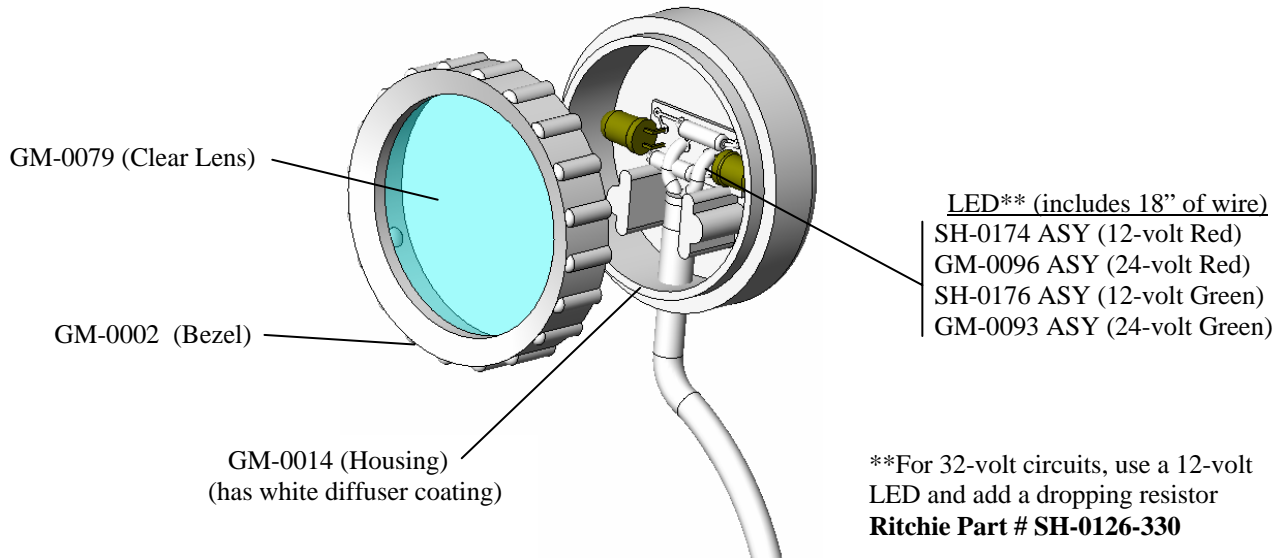


Globemaster 5 & 6'' Power Lighting

GM-0023 ASY	Red lens, 12 volt Clear Bulb
GM-0023 AS3	Red lens, 24/32 volt Clear Bulb



GM-0094 ASY	Clean Lens, 12 Volt Red LED
GM-0095 ASY	Clean Lens, 24 Volt Red LED
GM-0086 ASY	Clean Lens, 12 Volt Green LED
GM-0092 ASY	Clean Lens, 24 Volt Green LED



Some older LED's may not resemble the new style (shown).
The new LED's are direct replacements.

(This page intentionally left Blank)