

SKIPPER DL 850

Doppler speedlog with transversal speed and docking

Speed log

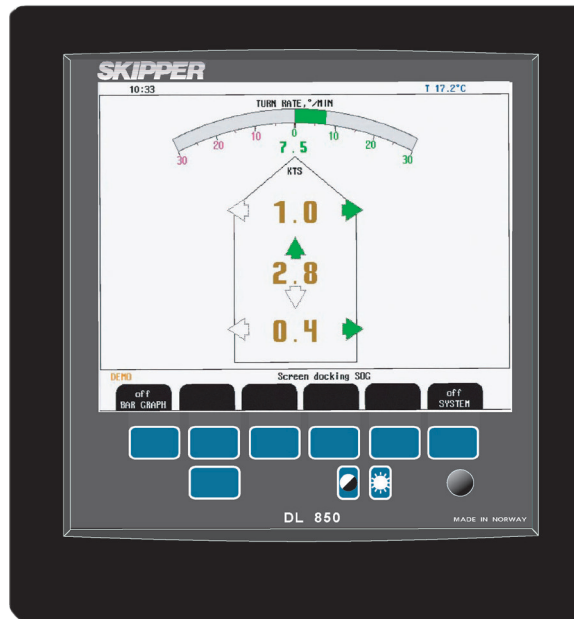
Dual axis

Docking option

Bottom track

Depth readout

Water temp



Night display



The SKIPPER DL 850 is a dual axis speed log, working on the Doppler principle, providing longitudinal and fore/aft transversal ship speed relative to the sea bed or the water. The DL 850 provides accurate navigation parameters measured as they happen, and presented in a logical, user friendly way.

SKIPPER Electronics manufacture marine electronics for the merchant fleet as well as the fishing fleet, based on experience, research and tradition. Our products are known worldwide for reliability, sophistication and good value for money.

Features:

Speed over ground

Speed through water

Depth and water temperature*

Interfaces - NMEA 0183, Pulse and Analogue outputs

Display - LCD 10.4" with full night dimming, day/night presets

Easy to use navigation display - integrated menus and softkeys

On screen diagnostics

Logging functions

Mounting options - Tank, Sea Valve for single or double bottom hull designs

The DL 850 present the critical parameters on screen and can be interfaced with bridge systems and repeaters. The DL 850 can also present depth, water temperature and ROT parameters.

Doppler technology is commonly considered the gold standard of speed measurement as it measures remotely, (away from the effects caused by the vessel itself) and once installed, it operates even with considerable organic growth on the transducer.

The DL 850 can measure the speed of the vessel through the water at all times, and over the bottom nearing 150 m of water (270 kHz version). The system includes a single sensor mounted in a Tank or Sea Valve, and using the vessels gyro, can predict the vessels longitudinal and transversal movement anywhere on the vessel.

"Serve you further"

e-mail: sales@skipper.no


www.skipper.no

Navigational Speed Logs, Echo Sounders, Sonar and Direction Finders

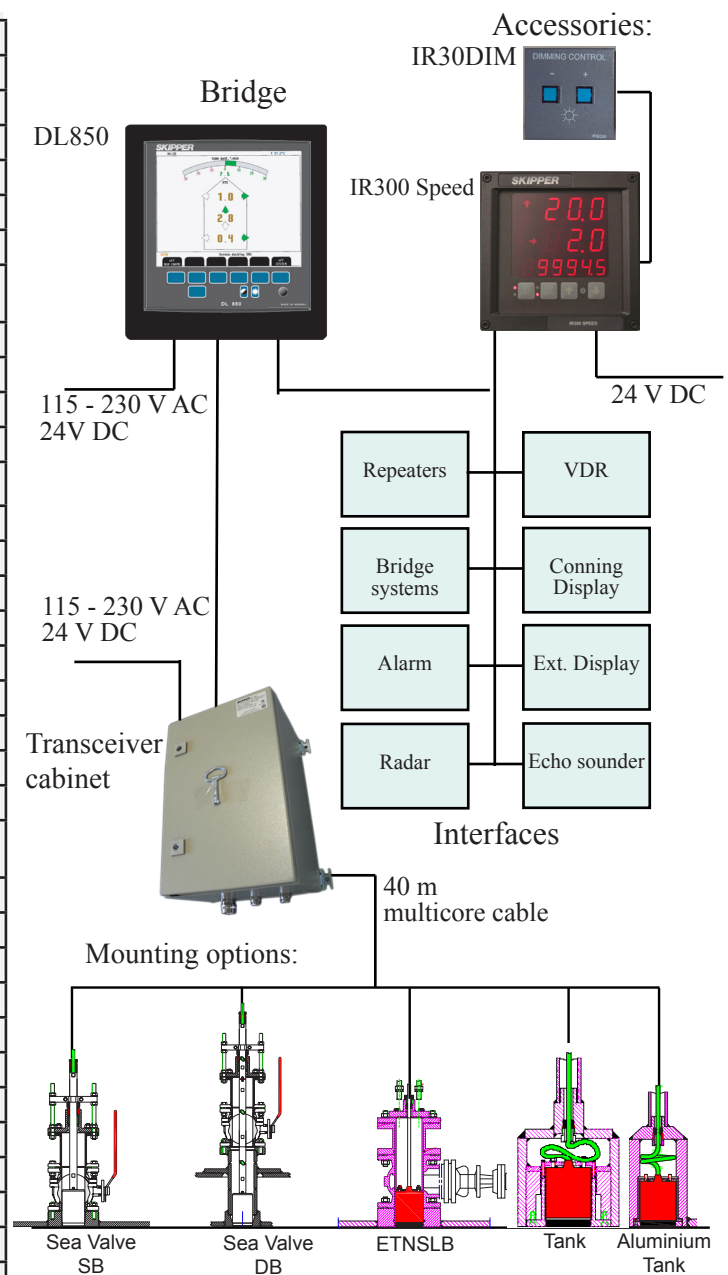
SKIPPER DL 850

Doppler speedlog with aft speed (docking)

Specifications

	DL 850-540	DL 850-270	Units
Primary Frequency	540	270	kHz
Speed range (lon/tra)	+/-40	+/-40	knots
Bottom lock***	1-75	1-150	meters
Water track (from)	2	2.3	meters
Aft transversal speed	opt.	opt.	
Pulse output power (rms)	100	100	Watts
Accuracy (better than)	0,2 or 2% whatever greater	0,2 or 2% whatever greater	knots
Echosounder*			
Range	100	130**	meters
Frequency	270	270	kHz
Max output power	100	100	Watt
Accuracy	<1	<1**	%
Temperature accuracy	<1	<1	°C
Mounting			
Gatevalve:			
Single bottom	Yes	Yes	
Double bottom	No	Yes	
Steel tank	No	Yes	
Aluminium tank	No	Yes	
Depth Alarms	Deep and shallow limits		
Speed alarms	High and low speed limits		
Clock	- Year-month-day/Hour-min-sec (taken from GPS if available)		
Outputs	- 2 x NMEA 0183 - 3 x 0 - 10 V or 4 - 20 mA Analogue - 3 x opto isolated (pulse) - VGA additional screen		
Inputs	- 2 NMEA 0183 (OPTO Isolated)		
Accepted NMEA formats			
Inputs			
Gyro	ROT, HDT		
GPS	GLL, GGA, RMC, VTG		
Echo	DPT, DBS, DBT, DBK		
Others	DPT, DBT		
Outputs			
Speed	VBW, VHW, VTG		
Distance	VLW		
Depth	DPT, DBS, DBT, DBK		
Others	MTW (temp), ALR (alarm)		
Power Supply	AC 115 - 230 V 50/60 Hz, DC, 24 V		
Power Consumption	Max. 100 W		
Display	150 x 200 mm (10.4") Colour LCD screen with adjustable backlight		
Memory	Compact flash - For retaining operational settings and diagnostic data		
Languages	English		
Accessories	IR300 Speed (with aft speed), Dimming Control		
Classification	IMO 		

Overview



SKIPPER

SKIPPER Electronics AS

Enebakkveien 150

P. O. Box 151, Manglerud

0612 Oslo, Norway

E-mail: sales@skipper.no

Telephone: +47 23 30 22 70

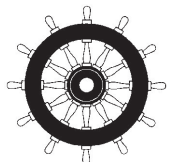
Telefax: +47 23 30 22 71

Co. reg. no: NO-965378847 -MVA

www.skipper.no

Date: November 2012

Revision: 22112012



* DL 850 echosounder function is not IMO certified and is supplied as an additional feature

** DL 850 - 270 does not contain a dedicated echosounder transducer

*** Range goes towards 75/200 m in good conditions.