

GENERAL

Frequency 85kHz

DISPLAY

Display Mode Single scan, Fish Finder combination* (single and Fish Finder), Audio combination (single and audio pictures)
*Fish Finder or Echo sounder required

Video Signal Output Method: RGB analog, separated synchronization, XGA (VESA)
Resolution: 1024 x 768, 65.0MHz clock

Colors Scan/Echo: 16 colors, Mark: 1 color

Mark Own ship's track, Headline line, Direction/distance, Fish school, Event, Target lock

Range Scale 164, 279, 328, 492, 656, 820, 984, 1148, 1312, 1476, 1640, 1968, 2625, 3281, 3937, 5249ft

Pulselength 0.5 to 20ms (depending on range scale)

Ship Speed 18kn MAX (raise/lower operation up to 16kn)

Tilt Manual control: 0° to 55° in 1° steps, automatic tilt scan: 4° to 52°

Audio Search Sector: 20°, 40°, 80°, and 120° selectable

Audio Output 2W, 1kHz Frequency

Language English, Spanish, Danish, Dutch, French, Italian, Norwegian, Thai, Vietnamese, Burmese, Indonesian, Japanese

INTERFACE

NMEA0183 (Version 1.5, 2.0, 2.2) 2 PORTS

Input CUR, DBS, DBT, DPT, GGA*, GLC, GLL*, GTD, HDG, HDM, HDT, MTW, RMA, RMC, VDR, VHW, VTG
*Disabled for NMEA0183 Version 1.5

Output Target Lat./Long. (External data required)
- Mark events to compatible Furuno Equipment

Log, E/S, KP Speed log pulse (contact signal): 200/400 pulse/NM
Sonde, E/S signal: VI-1100A applicable
External KP: Current loop, 0 to 12V

CIF Data Output Location, Ship's speed, Bearing, Current data (1 layer), Water depth, Water temperature, Multiple layer current data

HULL UNIT

Transducer travel 400m or 600m

Raising/Lowering time 400mm: 14s, 600mm: 20s

Allowable Ship's speed 18kn MAX. (16kn during raise/lower operation)

Driving system Remote electric control

ENVIRONMENT

Temperature 0°C to +55°C

Waterproofing IPX2 (w/o connector panel of processor unit)

POWER SUPPLY

Processor Unit 100-240 VAC: 4.5-2.2A, 1 phase, 50-60Hz

EQUIPMENT LIST

- Standard
1. Processor Unit CSH5210
 2. Control Unit CSH5211
 3. Transceiver Unit CSH80308L
 4. Hull Unit 400mm or 600mm travel
 5. Installation Materials, Accessories and Spare Parts
- NOTE: DISPLAY UNIT NOT SUPPLIED AS STANDARD

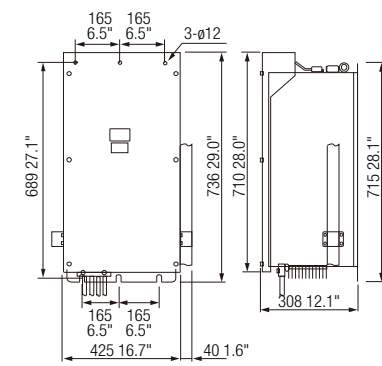
- Optional
1. DC-AC Inverter TR2451
 2. E/S Interface Unit VI-100A
 3. Aluminum Tank OP10-5 1.0M
 4. External Loudspeaker
 5. Transducer Cable Extension Kit
 6. Motion Sensor MS100
 7. Remote Controller CSH7040

SPECIFICATIONS SUBJECT TO CHANGE WITHOUT NOTICE

Catalog No. LIT-8LM-2SF

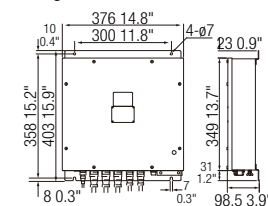
TRANSCIVER UNIT

CSH80308L
37kg, 81.6lb



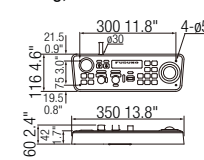
PROCESSOR UNIT

CSH5210A
3.4kg, 7.5lb



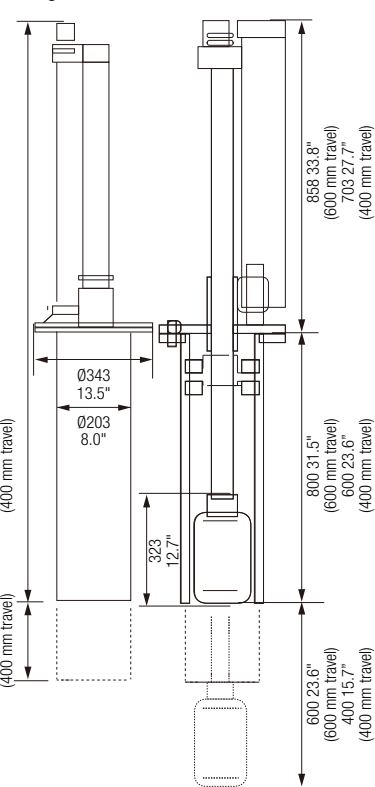
CONTROL UNIT

CSH5211A
3.5kg, 7.7lb

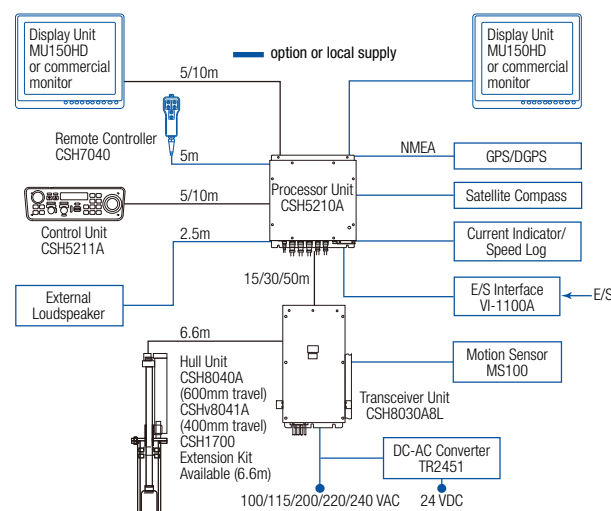


HULL UNIT

CSH8040A (600mm travel)
82kg, 180.8lb
CSH8041A (400mm travel)
81kg, 178.6lb



INTERCONNECTION DIAGRAM



Mackay Marine - High Seas
+1 281 479 1515 marinesales@mackaymarine.com
Mackay Communications, Satellite Solutions
+1 919 850 3100 satserv@mackaycomm.com
Mackay Marine Canada
+1 902 469 8480 sales.canada@mackaymarine.com
Mackay Marine Alaska & Pacific Northwest
+1 206 282 8080 ballard@mackaymarine.com

CSH8L MK2
360° OMNI SONAR



- | | | | | |
|---|---|--|--|---|
| FURUNO ELECTRIC CO., LTD. Japan www.furuno.com | FURUNO DANMARK A/S Denmark www.furuno.dk | FURUNO FRANCE S.A.S. France www.furuno.fr | FURUNO EURUS LLC Russian Federation www.furuno.ru | PT FURUNO ELECTRIC INDONESIA Indonesia www.furuno.id |
| FURUNO U.S.A., INC. U.S.A. www.furunousa.com | FURUNO SVERIGE AB Sweden www.furuno.se | FURUNO ESPAÑA S.A. Spain www.furuno.es | FURUNO SHANGHAI CO., LTD. China www.furuno.com/cn | FURUNO ELECTRIC (MALAYSIA) SDN. BHD. Malaysia www.furuno.com/my |
| FURUNO PANAMA S.A. Republic of Panama www.furuno.com.pa | FURUNO FINLAND OY Finland www.furuno.fi | FURUNO ITALIA S.R.L. Italy www.furuno.it | FURUNO CHINA CO., LTD. Hong Kong www.furuno.com/cn | BWARE OF SIMILAR PRODUCTS All brand and product names are trademarks, registered trademarks, or service marks for their respective holders. |
| FURUNO (UK) LIMITED U.K. www.furuno.co.uk | FURUNO POLSKA Sp. z o.o. Poland www.furuno.pl | FURUNO HELLAS S.A. Greece www.furuno.gr | FURUNO KOREA CO., LTD Korea | SPECIFICATIONS SUBJECT TO CHANGE WITHOUT NOTICE |
| FURUNO NORGE A/S Norway www.furuno.no | FURUNO DEUTSCHLAND GmbH Germany www.furuno.de | FURUNO (CYPRUS) LTD Cyprus www.furuno.com.cy | FURUNO SINGAPORE Singapore www.furuno.sg | Printed in U.S.A. |

Mackay
Marine Electronics & Satellite Communications
www.mackaymarine.com



Photo: Control unit with optional MU-150HD
www.furunousa.com

THE THREE ESSENTIALS... FUEL, BAIT, AND A CSH8L MK2

KEY FEATURES:

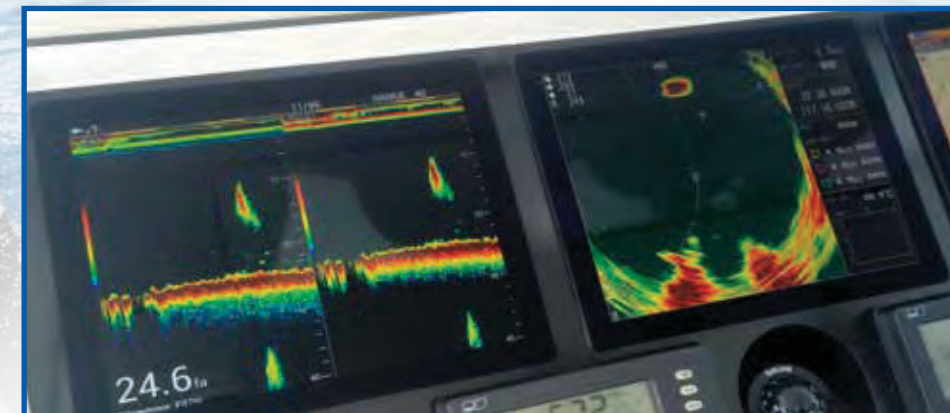
- 360-Degree Omni Sonar detects and instantaneously displays schools of fish and underwater conditions
- Black Box configuration allows for a space-saving, flexible installation
- Variety of available monitors built to meet the needs of tournament vessels
- The vivid 16-color display assists in recognition of seabed structure, as well as concentration/distribution of fish schools
- At a 1,000 ft. range scan a full 360 degrees in just over 1/2 a second (even quicker at shorter ranges)
- Various fishing and navigation data* keep the operator aware of fishing and navigation conditions
* Requires appropriate sensors
- Four user-programmable function keys for quick set up according to fishing conditions or specific functions
- Second display and control unit can be easily connected for a remote second station on the flybridge
- High-power transmitter ensures reliable operation under any conditions
- Narrow beamwidth and enhanced target identification capability
- Transducer frequency: 85kHz



CSH8L MK2



THE GAME HAS CHANGED...BETTER KEEP UP!



Speed is essential when tracking fast swimming species. On a 1,000 ft. range, the CSH8L MK2 Sonar updates the display 360 degrees every 0.54 seconds, while a conventional sector or searchlight sonar takes a full 32 seconds to train full circle under the same range/conditions. Because this Sonar scans so quickly, it greatly improves the fishing operation, and lessens the chance of missing important changes in underwater conditions. This is especially helpful when range and tilt require frequent adjustment while fishing, offering no frustration on redrawing time.

EASY TO USE CONTROLS

The control unit of the CSH8L MK2 combines ergonomics and functions in a user-friendly manner. All controls are quick with practically no latency, with each movement instantly seen on-screen. Four function keys can be assigned for rapid setup and operation.



Remote Controller CSH7040

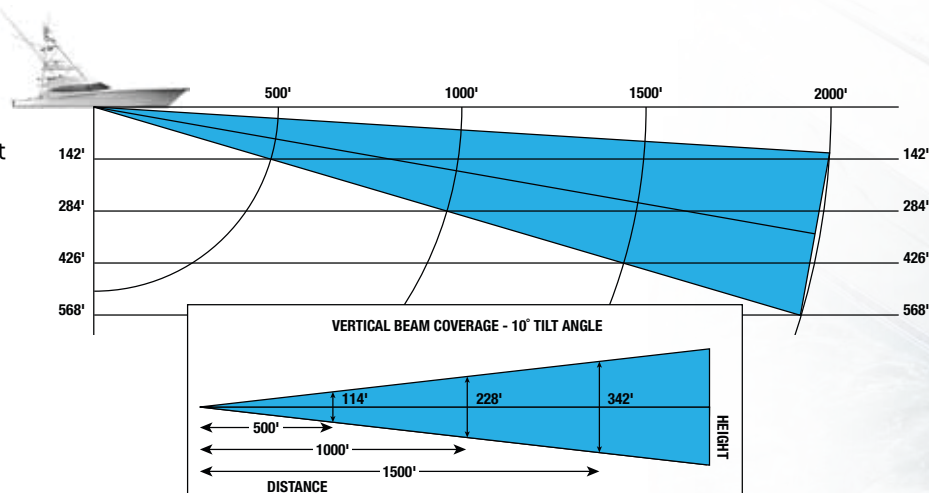
The optional remote controller provides armchair control of the tilt, range, and gain.

TURN FISHING INTO CATCHING - STOP HOPING AND START HUNTING

The CSH8L MK2 is a Full Circle Omni Sonar that rapidly detects and displays individual gamefish and schools of baitfish, showing your catch in real time before they're in the spread - a game changer for high-end tournament battlewagons! Operating at 85KHz, the CSH8L MK2 is a mid-frequency Sonar; its narrow beam width coupled with its enhanced target identification capabilities make it ideal for searching near the vessel or in shallow waters.

SCAN THREE FOOTBALL FIELDS OR FURTHER AROUND YOUR BOAT - IN EVERY DIRECTION

The transducer of a scanning sonar consists of many elements to transmit the echo in all directions simultaneously without rotating the transducer. The echo is redrawn on the display instantaneously according to the latest feedback from the transducer. It's truly like having an underwater Radar!



TAKE THE CSH8L MK2 EXPERIENCE TO THE NEXT LEVEL WITH TRAINING FROM THE FURUNO EXPERTS

