

FURUNO

DOPPLER SPEED LOG



Model:
DS-80

- ▶ Speed and distance run indicated on a large illuminated LCD display
- ▶ Compact display unit and transducer
- ▶ High accuracy by utilizing the Doppler principle, paired beam eliminating effect of pitching, and velocity correction for change of water temperature
- ▶ Easy speed correction at mile post run

- ▶ Speed output to ARPA, radar, ECDIS, AIS, VDR, GMDSS equipment, etc.
- ▶ Complies with IMO standards MSC.96 (72), A.824 (19), A.694 (17), IEC 61023 and other related standards
- ▶ Fully meets SOLAS carriage requirement for ships over 300GT
- ▶ Fits to the hull either directly or with a gate valve

SPECIFICATIONS

- | | |
|---------------------|--|
| 1. Product Name | DOPPLER SPEED LOG |
| 2. Measuring System | Paired-beam Doppler log, 1 MHz |
| 3. Display unit | 4.5" (95 x 60 mm) Monochrome LCD
120 x 64 pixels |
| Character size: | 15 or 21 mm high selectable |
| 4. Speed Range | 0 - 40 kn, 0.1 kn steps |
| Forward: | 0 - 10 kn, 0.1 kn steps |
| Astern: | 0-999,999.99 NM, |
| 5. Distance Run | resettable to any value. |
| 6. Accuracy | Speed through-the-water (STW):
1%, display resolution 0.1 kn
Distance run: 1%, in steps of 0.1 NM
Deeper than 3 m |
| 7. Water Depth | |
| 8. Correction | Automatic correction for change of
water temperature |
| Sound velocity: | |
| Mile post run: | ±10% on menu |
| 9. Test | -10 and 40 kn |
| 10. Power Supply | 115/230 VAC |
| 11. Interface | IEC 61162-1 |
| Output: | VBW, VLW |

ENVIRONMENT (IEC 60945 test method)

- | | |
|---------------|----------------------------------|
| Temperature | -15°C to +55°C (Display unit) |
| Waterproofing | Display unit; IPX5 CFR-46 (USCG) |

EQUIPMENT LIST

Standard

- | | |
|--|--------|
| 1. Main Display DS-800 | 1 unit |
| 2. Transducer Unit DS-820
with 10/20/30 m cable | 1 unit |
| 3. Transceiver Unit DS-810 | 1 unit |
| 4. Distribution Box DS-801 | 1 unit |
| 5. Terminal Box DS-802 | 1 unit |

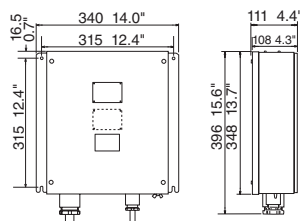
Option

- | | |
|-------------------------------------|--------|
| 1. Digital Indicator DS-830 | 1 unit |
| 2. Remote Distance Indicator DS-840 | 1 unit |
| 3. Transducer Tank DS-850 | 1 unit |
| 4. Flush Mount Kit F type or S type | 1 unit |
| 5. Gate Valve DS-782, DS-786 | 1 unit |
| 6. Junction Box CI-630 | 1 unit |
| 7. Analog Display | 1 unit |

TRANSCIVER UNIT

DS-810

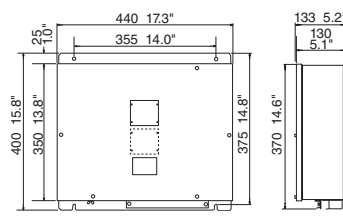
8.0 kg, 17.6 lb



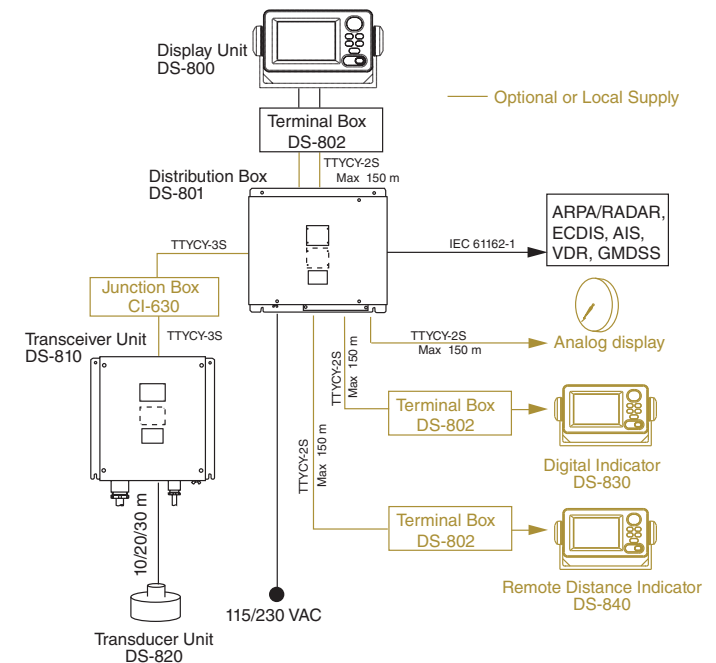
DISTRIBUTION BOX

DS-801

14 kg, 30.9 lb

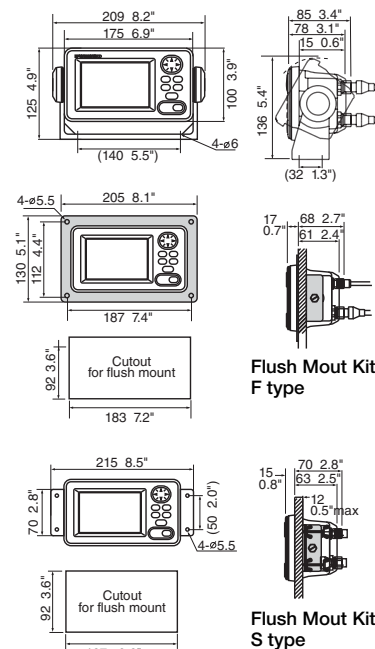


INTERCONNECTION DIAGRAM



DISPLAY UNIT DS-800

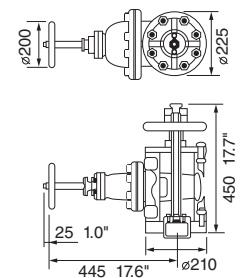
0.6 kg, 1.3 lb



GATE VALVE

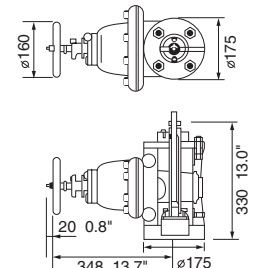
DS-782

75 kg, 165.3 lb



DS-786

40 kg, 88.1 lb



All brand and product names are registered trademarks, trademarks or service marks of their respective holders.

SPECIFICATIONS SUBJECT TO CHANGE WITHOUT NOTICE

FURUNO ELECTRIC CO., LTD.
Nishinomiya, Hyogo, Japan
www.furuno.com

FURUNO U.S.A., INC.
Camas, Washington, U.S.A.
www.furunousa.com

FURUNO (UK) LIMITED
Havant, Hampshire, U.K.
www.furuno.co.uk

FURUNO NORGE A/S
Ålesund, Norway
www.furuno.no

FURUNO DANMARK A/S
Hvidovre, Denmark
www.furuno.dk

FURUNO SVERIGE AB
Västra Frölunda, Sweden
www.furuno.se

FURUNO FINLAND OY
Espoo, Finland
www.furuno.fi

FURUNO POLSKA Sp. Z o.o.
Gdynia, Poland
www.furuno.pl

FURUNO DEUTSCHLAND GmbH
Rellingen, Germany
www.furuno.de

FURUNO FRANCE S.A.S.
Bordeaux-Mérignac, France
www.furuno.fr

FURUNO ESPAÑA S.A.
Madrid, Spain
www.furuno.es

FURUNO ITALIA S.r.l.
Genoa, Italy

FURUNO HELLAS S.A.
Glyfada, Greece
www.furuno.gr

FURUNO (CYPRUS) LTD
Limassol, Cyprus
www.furuno.com.cy

FURUNO EURUS LLC
St. Petersburg, Russian Federation
www.furuno.com.ru

FURUNO SHANGHAI CO., LTD.
Shanghai, China
www.furuno.com/cn

FURUNO KOREA CO., LTD.
Busan, Korea
RICO (PTE) LTD
Singapore
www.rico.com.sg