

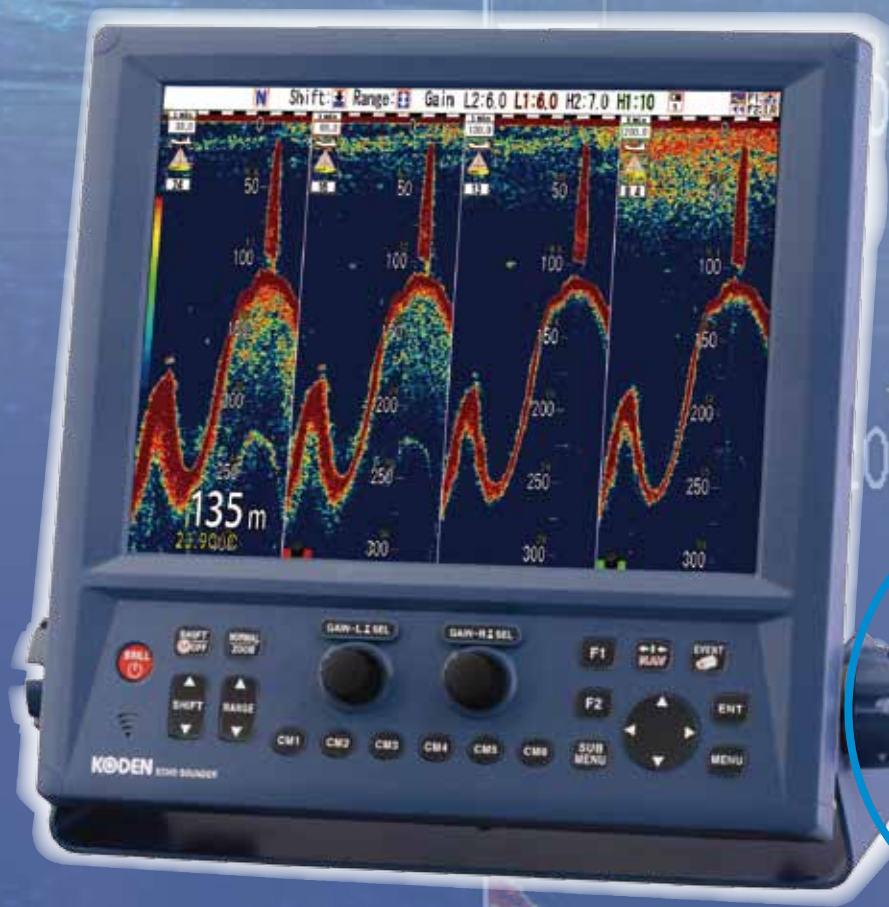


12.1-inch Color LCD Echo Sounder / Broadband

KODEN

CVS-FX1

Ultimate broadband sounder with digital processing



Dedicated Transducer

TDM-052

TDM-062



Features

World's first simultaneous quad frequency sounder

Selectable frequencies of broadband transducer

New function: Condition Memory for your preferred settings

Extremely high resolution and low noise

Bright and clear screen images by Koden Digital Filtering (KDF™) technology.

SPECIFICATIONS

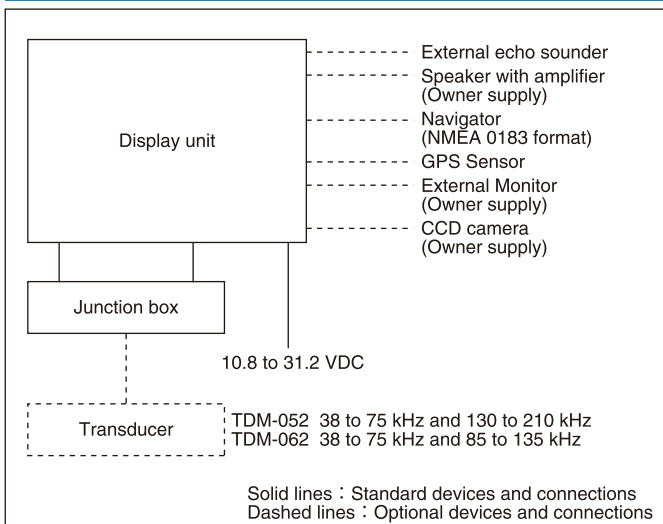
Model	CVS-FX1	
Output power (RMS)	3 kW	
Transducer	TDM-052	TDM-062
Output frequency (Transducer)	38 to 75 kHz and 130 to 210 kHz	38 to 75 kHz and 85 to 135 kHz
Selectable frequency range	24 to 240 kHz 0.1kHz step	
Output method	1 frequency: single, 2 frequency: simultaneous or alternate, 4 frequency: 2 frequency alternate	
Display size and type	12.1 inch color XGA LCD	
Display resolution	1024 x 768 pixels(XGA)	
Basic range	1 to 3000 (m), 5 to 8000 (ft), 1 to 1700 (fm), 1 to 2000 (l. fm) (8 ranges can be set to users choice)	
Zoom range	1 to 260 (m), 5 to 960 (ft), 1 to 140 (fm), 1 to 180 (l. fm)	
Range unit	m, ft, fm, l.fm	
Shift step	Selectable: 1m, Range ratio1/5, Registered value (8 type), Shift digit input, Range dependant	
Presentation modes	High frequency, Low frequency, 1 to 4 frequency, Zoom image (Bottom lock, Bottom discrimination, Bottom zoom, Zoom, Bottom follow zoom), Nav mode, Vertical split, Horizontal split, Mix A-scope can be displayed at all above modes	
Presentation colors	64 colors, 16 colors, 8 colors, Monochrome	
Back ground colors	Marine Blue, Blue, Dark blue, Black, White, Nighttime color, Other 4 colors	
Alarms	Bottom, Fish, Temperature*, Speed**, Arrival***, XTE***	
Image speed	9 steps & stop	
Functions	Interference rejection, Color rejection, VRM, Noise reduction, White line, Draft correct, Water temperature correct, Boat speed correct, Store image (500 images), Sona-Tone™, Fishing Hot Spot, Event memory, Simple plotter, Panel illumination, Power reduction, External trigger, Detection area display, CM key	
Auto functions	Range, Shift, TVG, TX Power, White Line	
Language	English, Japanese, Korean and others	
Input data format and sentences	NMEA0183 Ver.1.5 / 2.0 / 3.0	
Output data format and sentences	GGA, GLL, HDT, MTW, MWV, MWD, RMC, VHW, VTG, ZDA	
NMEA input / output port(s)	2	
Power supply	10.8 to 31.2 VDC	
Power consumption	60 W or less (24V DC)	
Environmental		
Operating temperature	-15°C to +55°C	
Water protection	IPX5	

* Requires data from Temp sensor

** Requires speed data from Speed sensor or GPS sensor

*** Requires data from GPS sensor

CONNECTIONS



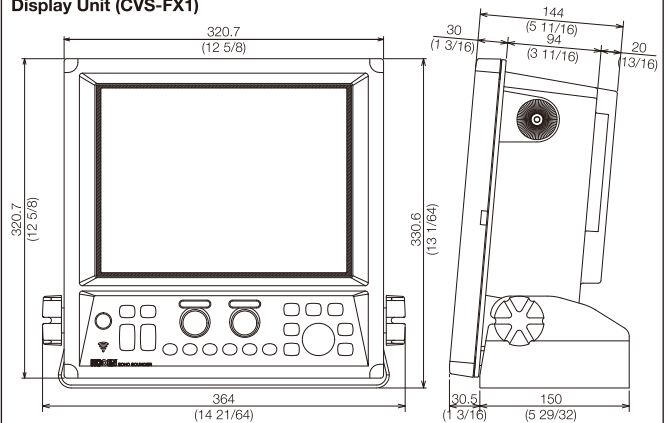
EQUIPMENT LIST

Standard equipment	Display unit with hard cover, Mounting bracket	1 set
	DC power cable, Spare parts, Junction box, Operation manual, Installation manual, Quick reference	1 set
Essential option	Transducer	
Options	Connection cables for external devices	

DIMENSIONS AND WEIGHT

Unit: mm (inch)

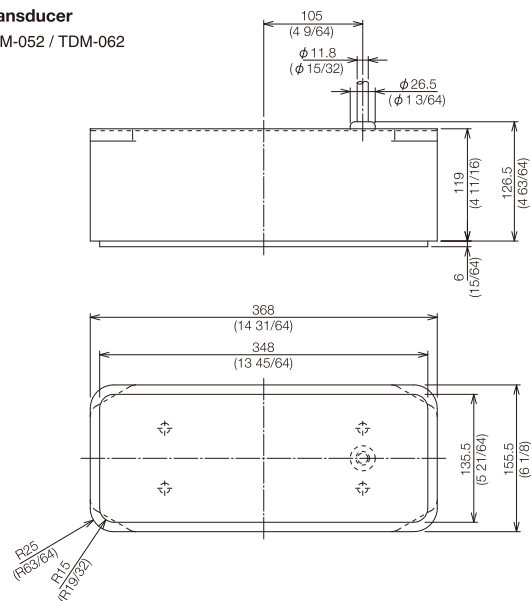
Display Unit (CVS-FX1)



Weight : 9.1kg (20.1lb)

Transducer

TDM-052 / TDM-062



Weight : TDM-052 / 11kg (24.5lb)
TDM-062 / 11.4kg (25.2lb)

• Design and specifications are subject to change without notice.

KODEN

Koden Electronics Co., Ltd.

Tamagawa Office:

2-13-24 Tamagawa, Ota-ku, Tokyo, 146-0095 Japan

Tel: +81-3-3756-6501 Fax: +81-3-3756-6509

Uenohara Office:

5278 Uenohara, Uenohara-shi, Yamanashi, 409-0112 Japan

Tel: +81-554-20-5860 Fax: +81-554-20-5875

overseas@koden-electronics.co.jp

www.koden-electronics.co.jp



Safety precaution

To ensure proper and safe use of the equipment, please carefully read and follow the instructions in the Operation Manual.

For details, please contact:



Marine Electronics & Satellite Communications
www.mackaymarine.com

Mackay Marine

+1 281 479 1515 marinesales@mackaymarine.com

Mackay Communications, Satellite Solutions

+1 919 850 3100 satserv@mackaycomm.com

Mackay Marine Canada

+1 902 469 8480 sales.canada@mackaymarine.com

Mackay Govt. Group

+1 904 880 4633 government@mackaycomm.com