

PREVIEW

KODEN

Marine Radar

MDC-5000 Series

**Powerful and Precise
Professional Grade**



Features

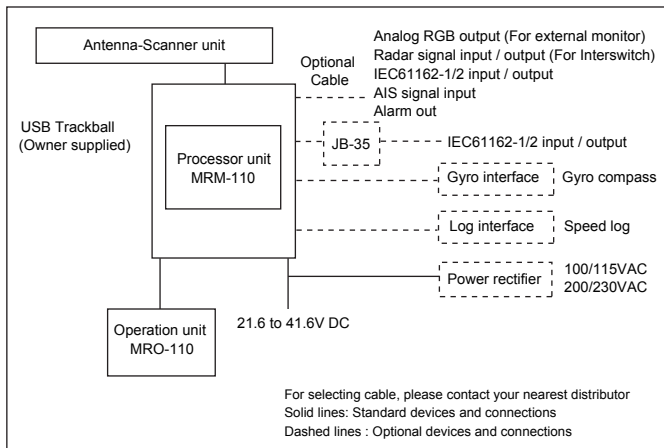
- ▶ Clear image with High-speed sampling in short range
- ▶ CFAR, auto GAIN and STC with simple operation
- ▶ Improved visibility by PROCESS and VIDEO functions
- ▶ Built-in AIS interface for displays up to 500 targets
- ▶ Built-in TT (ARPA) tracks up to 50 targets
- ▶ C-Map chart (NT or MAX) can be displayed with the radar image (Chart: Owner supplied)
- ▶ Black Box type connects to any XGA and UXGA type display
- ▶ Output power: 4 models (4kW, 6kW, 12kW, 25kW)

SPECIFICATIONS

Antenna-scanner unit												
Model	MDC-5004	MDC-5006 / 5060	MDC-5012 / 5010	MDC-5025 / 5020								
Type	RB806	RB807 / RB717A	RB808 / RB718A	RB809 / RB719A								
Antenna type	Open antenna											
Antenna length	3 feet / 4 feet / 6 feet	4 feet / 6 feet	4 feet / 6 feet / 9 feet	4 feet / 6 feet / 9 feet								
Output power (Peak)	4 kW	6 kW	12 kW	25 kW								
Output frequency	9410 MHz ± 30 MHz											
Horizontal beam width	3 feet : 2.5° / 4 feet : 1.8° / 6 feet : 1.2° / 9 feet : 0.8°											
Vertical beam width	3,4, 6 feet : 22° / 9 feet : 25°											
Rotation	24 rpm or 48 rpm		24 rpm or 42 rpm									
IF center frequency	60 MHz											
Range accuracy	8 meters or 1% of the range scale selected, whichever is the greater											
Minimum detecting distance	Within 40 m											
Range resolution	Within 40 m											
Warm-up time	2 min		3 min									
Pulse width	0.08 μs, 0.15 μs, 0.3 μs, 0.5 μs, 1.0 μs (4kW only) 0.08 μs, 0.15 μs, 0.3 μs, 0.4 μs, 0.6 μs, 0.8 μs, 1.2 μs (6kW,12kW,25kW)											
Environmental												
Operating temperature	-25°C to +55°C											
Water Protection	IPX6											
Processor unit												
Processor unit	MRM-110											
Display resolution	1024 x 768 pixels (XGA)											
Off-centering	Max. 75 %											
Range Scales	0.125	0.25	0.5	1.0	1.5	3	6	12	24	48	64	96
Range interval	0.0625	0.125	0.25	0.5	1	2	4	8	16	16		
	(48 NM: 4 kW only, 64 NM: 6 kW, 12 kW only, 96 NM: 25 kW only)											
Presentation modes	Head-up, North-up (True motion)*, North-up (Relative motion)*, Course-up (True motion)*, Course-up (Relative motion)*											
Video levels	16											
Range unit	NM, km, sm, kf, ky											
Functions	Chart overlay, CFAR (Clutter rejection), Interference rejection, Target expansion, Process (Averaging), VRM, EBL, Parallel index, Cursor position, Bearing (true/relative), Trail (true/relative)*, Own ship past track*, MAP (Event mark* etc.), Analog RGB output											
Input data format and sentences	IEC61162-1 / -2 BWC, DBT, DPT, DTM, GGA, GLC, GLL, GNS, HDG, HDT, HDM, MTW, RMA, RMB, RMC, ROT, RTE, THS, VBW, VDR, VHW, VTG, WPL, XTE, ZDA											
Output data format and sentences	IEC61162-1 / -2 DTM, EVE, GLL, HBT, HDT, ROT, RSD, OSD, POS, THS, TLB, TLL, TTD, TIM, VBW, VDR, VHW, VTG, ZDA											
AIS interface*	500 Targets											
TT (ARPA)*	Auto / Manual 50 Targets											
Power supply	21.6 to 41.6 VDC											
Power Consumption (at 24 VDC)	100 W or less	130 W or less	150 W or less	200 W or less								
Environmental												
Operating temperature	-15°C to +55°C											
Water Protection	Processor unit (MRM-110) : IPX0 Operation unit (MRO-110) : IP23											

* Requires heading, speed, and / or position signal input from external equipment including GPS Compass depending on application of user.

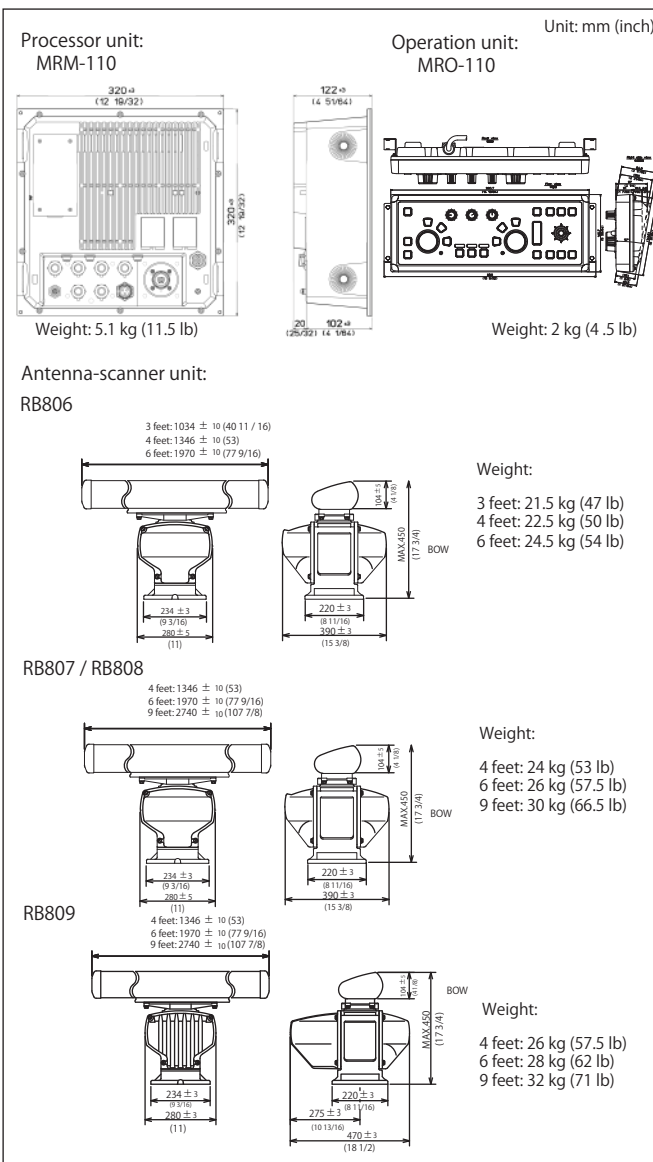
CONNECTIONS



EQUIPMENT LIST

Standard Equipment		
Scanner unit	RB806	4 kW
	RB807	6 kW
	RB808	12 kW
	RB809	25 kW
Antenna unit	RW701A-03	3 feet
	RW701A-04	4 feet
	RW701A-06	6 feet
	RW701B-09	9 feet
Processor unit	MRM-110	
Operation unit	MRO-110	With 2 m connecting cable
Connecting cable(RB807 / RB808 / RB809) (RB806 only)	CW-845-15	15 m with connectors on both ends
	242J159098B-15M	
DC power cable	CW-259-2M	2 m
Operation manual, Installation manual, Quick reference, Installation material, Fuse		
Option		
Gyro interface unit, Log interf ace unit, Power rectifier- AC power cable, Connecting cables, Junction Box		

DIMENSIONS AND WEIGHT



• Design and specifications are subject to change without notice.

KODEN Kodon Electronics Co., Ltd.

Tamagawa Office:
2-13-24 Tamagawa, Ota-ku, Tokyo, 146-0095 Japan
Tel: +81-3-3756-6501 Fax: +81-3-3756-6509
Uenohara Office:
5278 Uenohara, Uenohara-shi, Yamanashi, 409-0112 Japan
Tel: +81-554-20-5860 Fax: +81-554-20-5875

overseas@koden-electronics.co.jp

www.koden-electronics.co.jp



To ensure proper and safe use of the equipment, please carefully read and follow the instructions in the Operation Manual.

For details, please contact

Mackay
Marine Electronics & Satellite Communications
www.mackaymarine.com

Mackay Marine
+1 281 479 1515 marinesales@mackaymarine.com
Mackay Communications, Satellite Solutions
+1 919 850 3100 satserv@mackaycomm.com
Mackay Marine Canada
+1 902 469 8480 sales.canada@mackaymarine.com
Mackay Govt. Group
+1 904 880 4633 government@mackaycomm.com