



LT-3100 SATELLITE COMMUNICATIONS SYSTEM

designed and built for the demanding and rough environment at sea



Marine Electronics &
Satellite Communications
www.mackaymarine.com

Mackay Marine
+1 281 479 1515 marinesales@mackaymarine.com

Mackay Communications, Satellite Solutions
+1 919 850 3100 satserv@mackaycomm.com

Mackay Marine Canada
+1 902 469 8480 sales.canada@mackaymarine.com

Mackay Govt. Group
+1 904 880 4633 government@mackaycomm.com



LT-3100 IN SHORT

- Voice, SMS, Data, and Vessel tracking
- 2.4 kbps and 9.6 kbps compressed data
- Programmable softkeys for e.g. Emergency Service
- Single antenna cable solution (up to 500 m)
- High-performance GNSS/GPS receiver
- High quality microphone, speaker, and equalizer for improved audio performance
- Bluetooth interface supporting voice, SMS, and data

- Large 4.3" TFT display supporting day and night modes
- Voice prompt audio feedback
- Firewall and user authentication for high level of security
- Webserver for configuration and maintenance
- Support external LAN Wi-Fi Access Points
- Support external SIP PABX and SIP handsets
- Connectivity of Smartphones, Softphones, and Apps

PRODUCT DESCRIPTION

The LT-3100 Satellite Communications System is a maritime satellite communication product from Lars Thrane A/S. The LT-3100 system is designed for the professional market (deep sea, fishing, and work-boats), but can be used for the leisure market as well. The LT-3100 system meets all standards and certification requirements needed for worldwide maritime satellite communication equipment.

The LT-3100 system has voice and data capabilities with 100% global coverage provided by the Iridium® Communications Network. The LT-3100 system consists of a control unit, antenna unit, handset and cradle. A single coaxial cable connects the control unit with the antenna unit. Using a standard coaxial cable, up to 500 meters of separation between the units can be obtained, giving freedom to mount the antenna unit in the best possible location, with free line of sight to the satellites.

The LT-3100 system can be used as the primary satellite communication product on vessels, covering the basic communication needs in terms of connectivity between the ship and shore. In addition, the LT-3100 system can be used for crew calling or as back-up satellite communication product. The LT-3100 system provides voice, SMS, data, vessel tracking, and other Iridium services with competitive airtime rates, making it the perfect satellite communication product on board any vessel.

100% GLOBAL COVERAGE



PRODUCT FEATURES

VOLUME CONTROL
 Speaker and ringer volume control button

RINGER
 Incoming call ringer

NOISE-CANCELING
 High quality microphone. Improving voice quality in noisy environments

COLOR DISPLAY
 Large 4.3" TFT display supporting brightness adjustment and day/night mode themes

KEYPAD
 Responsive keypad with brightness adjustment

FUNCTIONAL KEYS
 Functional keys; off-hook, on-hook, navigation keys, and programmable softkeys

AUDIO SPEAKER
 Audio speaker supporting key beep, voice prompt, and alarms

INTERFACES

ETHERNET

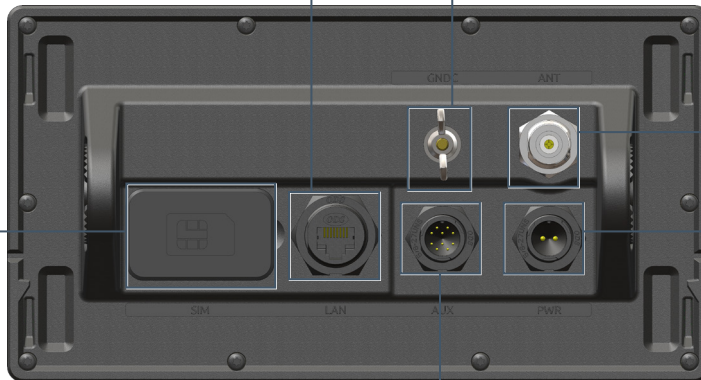
Ethernet LAN (RJ45). Connectivity for data, voice (SIP), service and maintenance

CHASSIS GROUND

Chassis ground connector

ANTENNA

Coaxial type-N conn. (female). One cable solution supporting power and communication to the antenna



SIM CARD

SIM card behind rubber dust cover for easy insertion and replacement

AUXILIARY

Auxiliary (10-pin) supporting RS-422, radio silence, and external ringer

POWER

Input voltage: 10 – 32 VDC

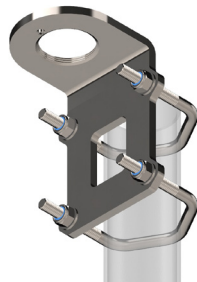
INSTALLATION OPTIONS

ANTENNA MOUNTING KITS

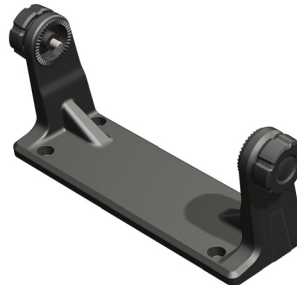
CONTROL UNIT MOUNTING KITS



Pole Mount (1.5" tube), Antenna Unit



Bracket Mount (1.5" to 2.5" tube), Antenna Unit

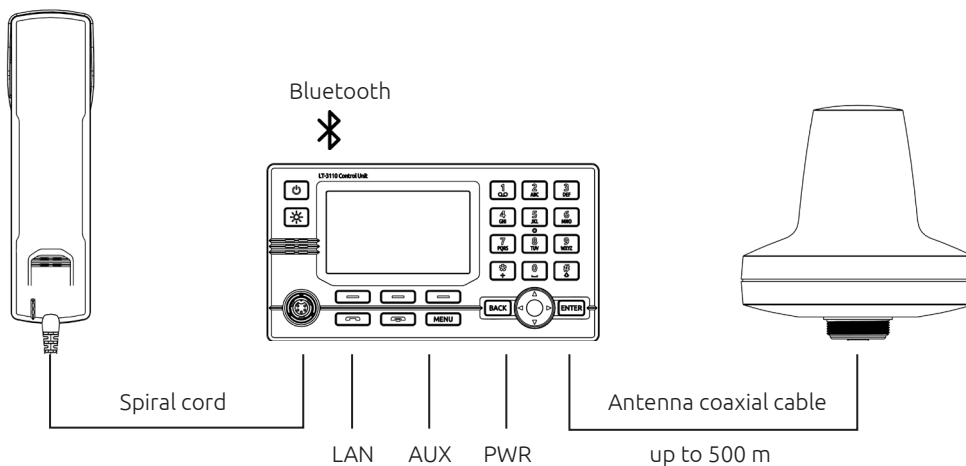


Bracket Mount, Control Unit



Flush Mount, Control Unit

SYSTEM CONFIGURATION



SPECIFICATIONS

LT-3100 SATELLITE COMMUNICATIONS SYSTEM

Certification & standards	Maritime CE, FCC, IC, RCM, RoHS 2, Iridium®
Vibration, operational	IEC 60945 (sine) & proprietary Maritime Random profile
Vibration, survival	Proprietary Maritime Random profile
Vibration, shock	Proprietary Maritime profile (20 g, 11 ms)
Power consumption: operating mode, max	37 W
Power consumption: standby mode, max	21 W
Power consumption: sleep mode, max	0.08 W
Compass Safe Distance, std.	0.85 m (2.8 ft)
Compass Safe Distance, steer.	0.65 m (2.1 ft)

LT-3110 Control Unit

Weight	658 g (1.45 lbs)
Dimensions	224.0 x 120.0 x 70.0 mm (8.82 x 4.72 x 2.76 in)
Temperature, operational	-15°C to +55°C (+5°F to +131°F)
IP rating, dust and water	IP 32
Interfaces	Ethernet, auxiliary, DC input, chassis ground Antenna Unit (N conn.), Handset, Bluetooth, SIM card
Input voltage	10 - 32 VDC

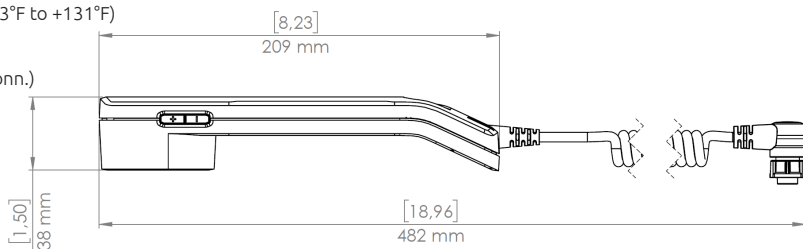
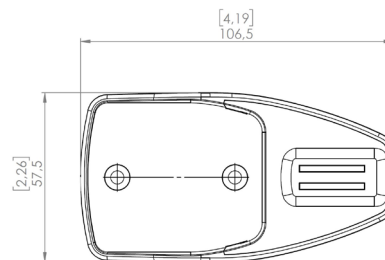
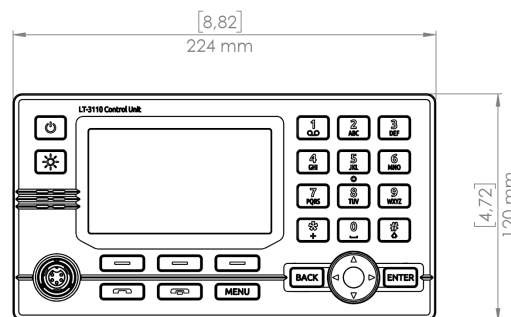
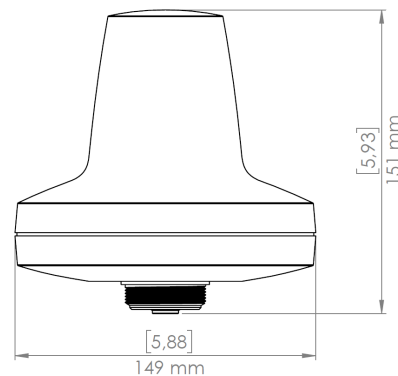
LT-3120 Handset

Weight	290 g (0.64 lbs)
Dimensions	208.8 x 52.8 x 38.2 mm (8.22 x 2.08 x 1.50 in)
Temperature, operational	-15°C to +55°C (+5°F to +131°F)
IP rating, dust and water	IP32

LT-3130 Antenna Unit

Weight	687 g (1.51 lbs)
Dimensions	151.1 x Ø 149.5 mm (5.95 x Ø 5.89 in)
Temperature, operational	-25°C to +55°C (-13°F to +131°F)
IP rating, dust and water	IP67
Interfaces	Control Unit (N conn.)

Antenna communication cable	Coaxial cable, up to 500 m (1500 ft)
Warranty	2 year
Maintenance	None



IN THE BOX

LT-3110 Control Unit	P/N: 51-100987
LT-3120 Handset	P/N: 51-100988
LT-3121 Cradle	P/N: 51-101181
LT-3130 Antenna Unit	P/N: 51-100989
Bracket Mount, Control Unit	P/N: 91-100771
Power Cable, 3m	P/N: 91-100767
User & Installation Manual	P/N: 95-100765

ACCESSORIES

Flush Mount, Control Unit	P/N: 91-100772
Bracket Mount (1.5" to 2.5" tube), Antenna Unit	P/N: 91-100773
Pole Mount (1.5" tube), Antenna Unit	P/N: 91-100774
Aux Cable, 3m	P/N: 91-100768
Coaxial Cable Ø4.9mm, 10m and 25m	
Coaxial Cable Ø10.3mm, 10m, 25m, and 50m	
Crimping Tool for Coaxial Cable Ø4.9mm and Ø10.3mm	



Lars Thrane A/S
 Skovlytoften 33
 DK-2840 Holte, Denmark
 Phone: +45 88 30 10 00 Fax: +45 88 30 10 09
 Email: sales@thrane.eu
 CVR DK-36042443
 www.thrane.eu

