


**MED B approved**   
Single channel  
navigational echo sounder.

Possibilities for one or two  
transducers installed.

User friendly with  
automatic range, gain and power settings.

### ESN100-SB Display unit:

9" touch display

1 x NMEA output (IEC61192-1)

2 x NMEA input (IEC61192-1)

LAN port (IEC61192-450)

Display and alarm complies with:  
IEC92288:2014 and IEC61924-2:2012

### JB50E1-SA Transceiver unit:

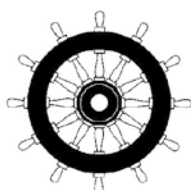
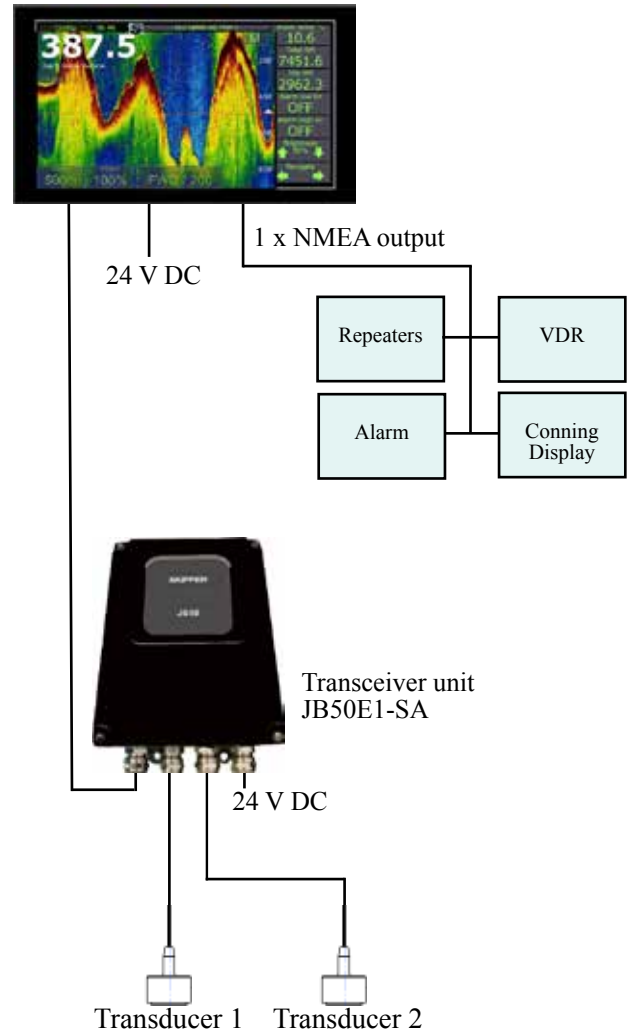
2 transducer terminals,  
both terminals software

programmable to 50 and 200kHz.

RS485 communication with display unit

## Overview

ESN100-SB



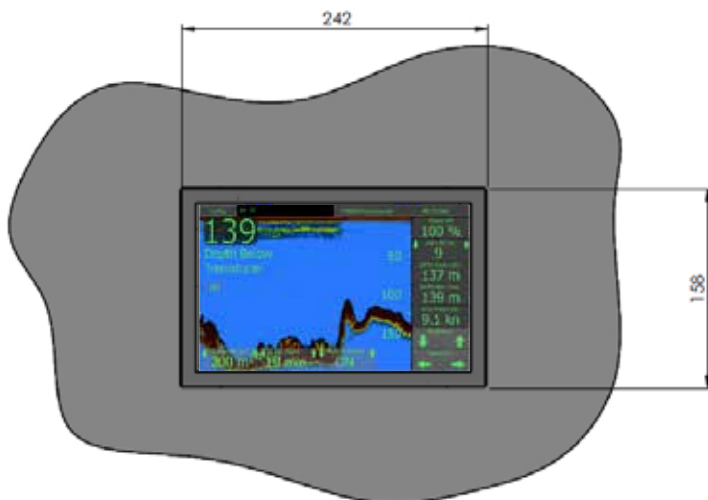
# SKIPPER

## Navigation Echo Sounder

# ESN100

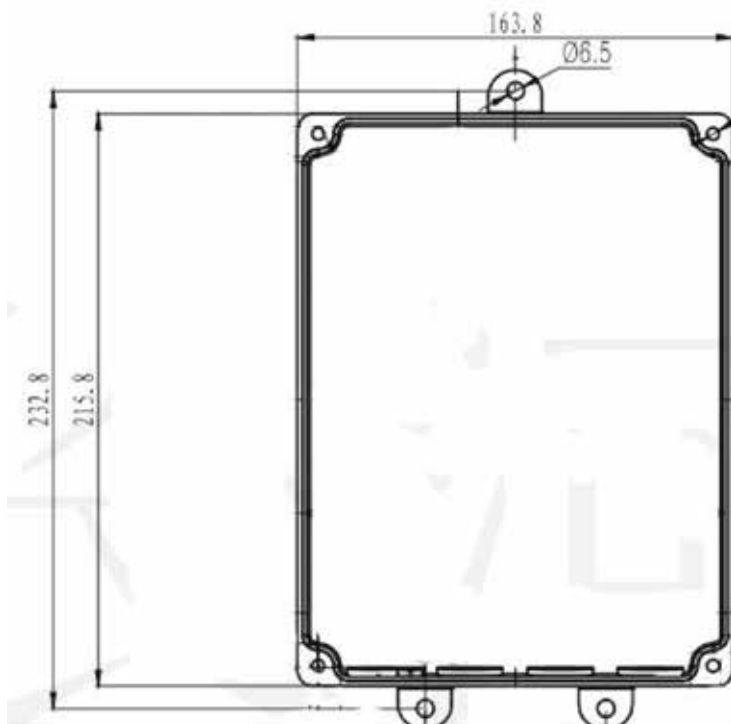
### ESN100-SB specifications

<b>Display</b>	9" Resistive touch. 400NITS
<b>Ranges</b>	Selectable from 0 - 5 m to 0 - 1000 m
<b>Depth resolution</b>	0-100m: 0,1m 100-1000m: 1m
<b>Interfaces</b>	1 x RS485 Communication with transceiver unit 1 x NMEA 0183 Outputs (IEC61192-1) 2 x NMEA 0183 Inputs (IEC61192-1) 1x LAN (IEC61192-450)
<b>Depth alarms</b>	Alert complies with IEC61924-2:2012 ALF or ALR. Internal sounder.
<b>Power Supply</b>	24VDC nominal. (21 - 32 VDC)
<b>Power Consumption</b>	Typical 6W Maximum 10W



### JB50E1-SA specifications

<b>Channels</b>	Single channel echo sounder
<b>Transducer connectors:</b>	2 Transducer connectors in transceiver unit. Active transducer selectable in software.
<b>Frequencies</b>	50 kHz and / or 200 kHz. (Both connectors, software selectable)
<b>Power Supply</b>	24VDC nominal. (21 - 32 VDC)
<b>Power Consumption</b>	Typical 15W Maximum 25W
<b>Expected depth limits</b>	200kHz ETN200T: 1,5m-250m 200kHz ETN200ST/G: 1,5m-200m 50kHz ETN50T/G: 2-450m 50/200kHz ETS50200: 1,5-450m
<b>Measuring Accuracy</b>	2-20m: Accuracy<0.5m 20-200m: Accuracy<5m
<b>Transducer output maximum power</b>	600W



### Transducers

<b>ETN200T/ETN200XT</b>	200kHz transducer for Steel tank (25m/40m cable)
<b>ETN200SG/ETN200SXG</b>	200kHz transducer for single bottom and double bottom sea valve (25m/40m cable)
<b>ETN200STA/ETN200SXTA</b>	200kHz transducer for aluminium tank (25m/40m cable)
<b>ETS50200T/ETS50200XT</b>	Dual frequencies 50 and 200kHz transducer for steel tank. 25m/50m cable.
<b>ETS50200G/ETS50200XG</b>	Dual frequencies 50 and 200kHz transducer for sea valve XB-100-XX. 25m/50m cable.

### Transducer mounting options:

