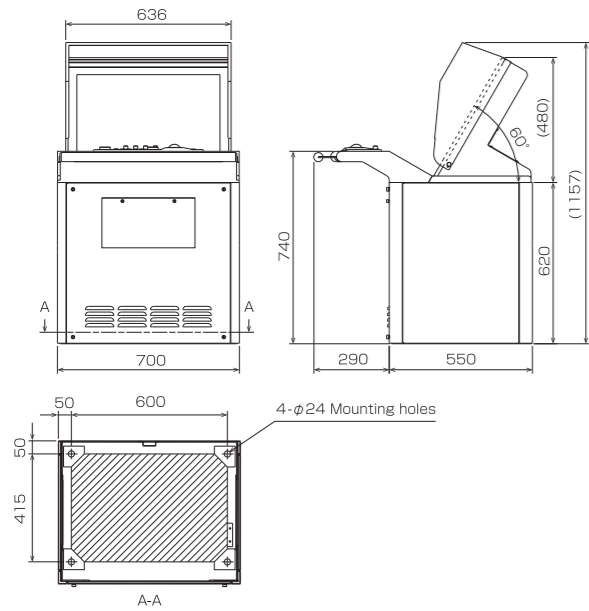


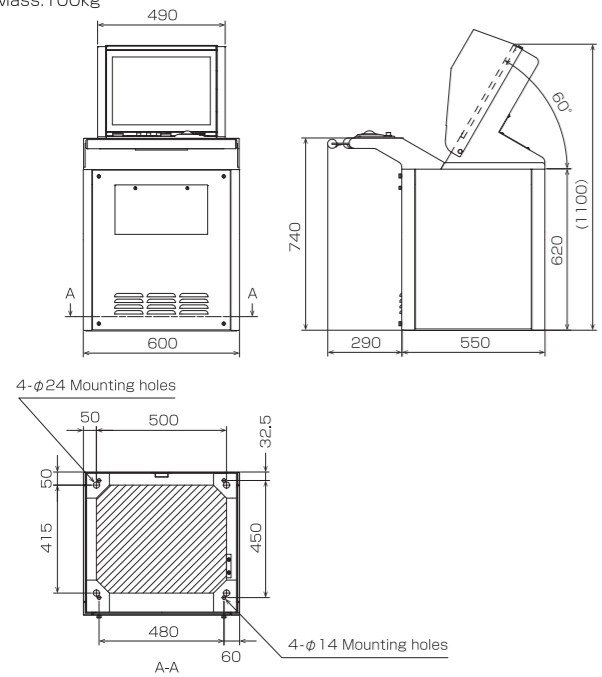
Equipment dimensions

Stand alone type

EC-8600
Mass:120kg



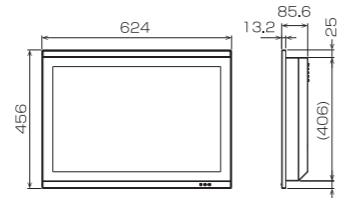
EC-8100
Mass:100kg



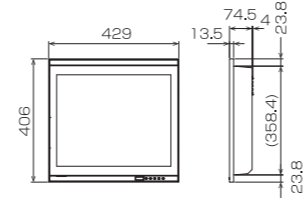
Unit type

(Unit: mm)

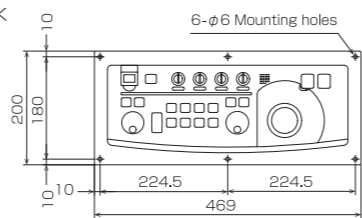
EC-8600K
26 inch LCD Monitor
Mass:14.5kg



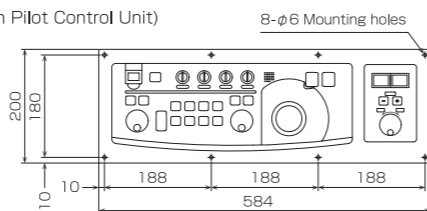
EC-8100K
19 inch LCD Monitor
Mass:6kg



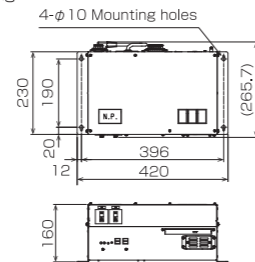
EC-8600K / EC-8100K
Operation Unit
Mass:3kg



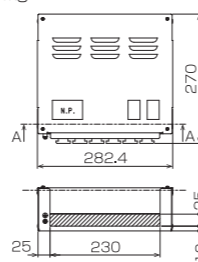
Operation Unit (with Pilot Control Unit)
Mass:4kg



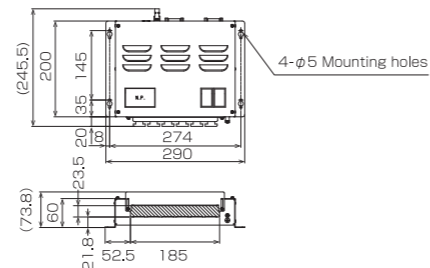
EC-8600K / EC-8100K
Control Unit
Mass:10kg



EC-8600K / EC-8100K
Serial I/F Unit
Mass:4kg



EC-8600K / EC-8100K
Radar Overlay Unit
Mass:2kg



Design and specifications are subject to change without prior notice, and without any obligation on the part of the manufacturer.

CAUTION Before operating this equipment, you should first thoroughly read the operator's manual.

<http://www.tokyo-keiki.co.jp/>

TOKYO KEIKI

TOKYO KEIKI INC.

Marine Systems Company

Head Office	2-16-46, Minami-Kamata, Ohta-ku, Tokyo 144-8551 JAPAN	TEL.+81-3-3737-8611	FAX.+81-3-3737-8663
TOKYO KEIKI (SHANGHAI) CO.,LTD.	C-1407, Orient International Plaza. No.85 Lou Shan Guan Rd., Shanghai 200336.CHINA	TEL.+86-21-3223-1252	FAX.+86-21-6278-7667
TOKYO KEIKI U.S.A., INC.	625 Fair Oaks Ave, Suite190, South Pasadena, California 91030 U.S.A.	TEL.+1-626-403-1500	FAX.+1-626-403-7400
Busan Liaison Office	Shindonga bldg. Room 1003, 749-1 Gayadaero, Busanjin-gu, Busan 614-783, KOREA	TEL.+82-51-802-2190	FAX.+82-51-802-2188
Singapore Branch	No. 2 Jalan Rajah #07-26/28, Golden Wall Flatted Factory, Singapore 329134	TEL.+65-6254-1877	FAX.+65-6254-1745

TOKYO KEIKI

Electronic Chart Display and Information System

ECDIS
EC-8600/EC-8100

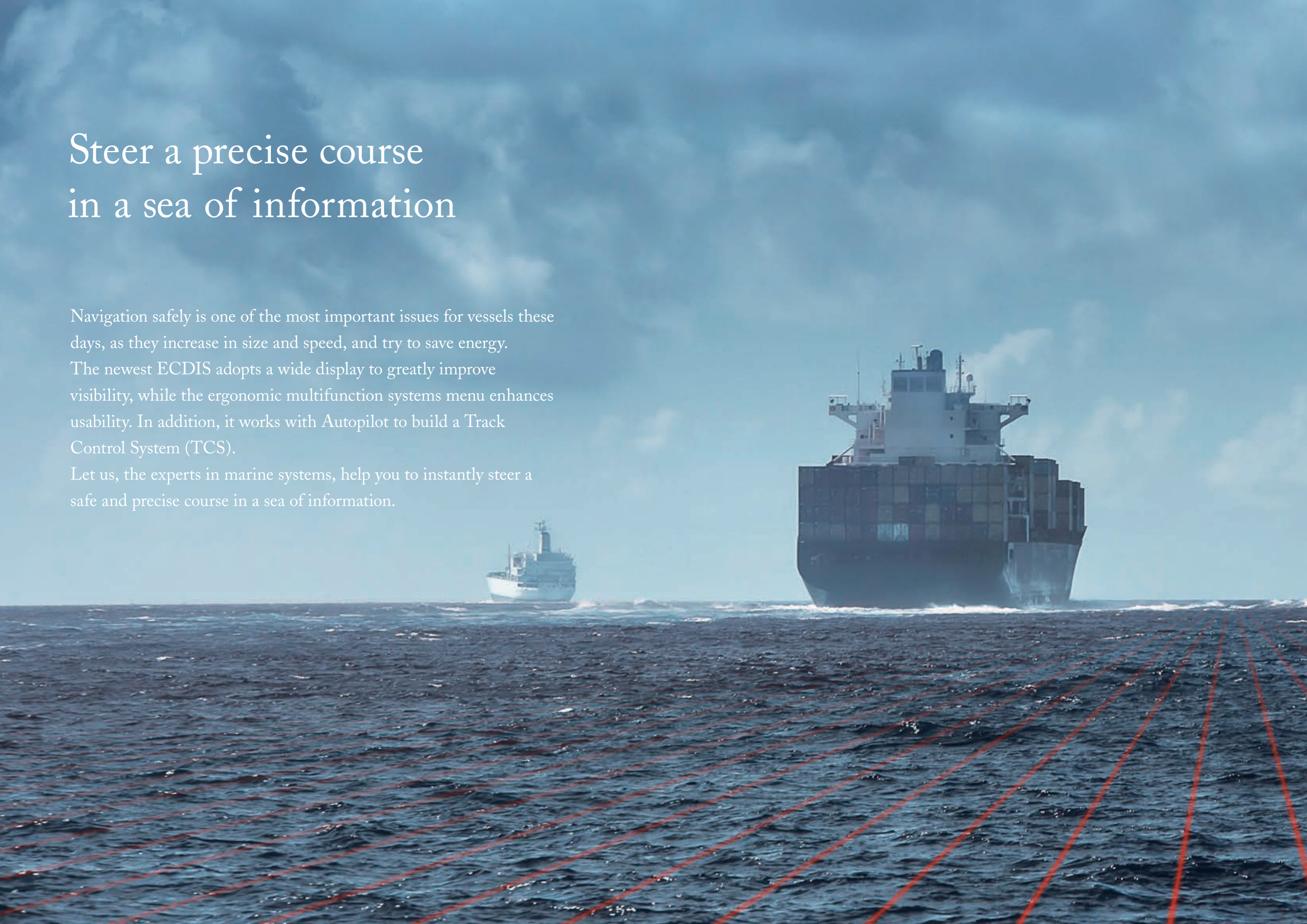


Steer a precise course in a sea of information

Navigation safely is one of the most important issues for vessels these days, as they increase in size and speed, and try to save energy.

The newest ECDIS adopts a wide display to greatly improve visibility, while the ergonomic multifunction systems menu enhances usability. In addition, it works with Autopilot to build a Track Control System (TCS).

Let us, the experts in marine systems, help you to instantly steer a safe and precise course in a sea of information.



EC-8600 EC-8100



EC-8600 Stand alone type

TOKYO KEIKI's latest Electronic Chart and Information Display System, the EC-8600/EC-8100 series. In addition to conformity to the latest International Rules and Regulations, TOKYO KEIKI's own ideas and functions are incorporated which contribute and support to a most safe and efficient voyage. Especially, required information can be called upon anytime and easily when needed, a concept by TOKYO KEIKI having such a broad experience for Navigation Equipment. By using this new ECDIS, you will see and experience first hand a safe and most efficient voyage.

Features

- New 26 inch wide screen LCD display (EC-8600/EC-8600K)
WUXGA 1920x1200 wide screen pixel support
- AIO display support
T&P Notice to Mariners (T&PNMs:Temporary related notices) and AIO (Admiralty Information Overlay) can be displayed as supplemental information on the ENC chart
- INS conformity AMS response
Centralized management of all alerts from each Navigation Equipment (Alert Management System)
- Fast installation of ENC charts. (Install time reduced to 1/3)
- Possible to connect to VDR
- Easy software upgrade onboard by ship's crew

*AIO is a free service used by UKHO

Display example

Navigation monitoring



Selected Route route check (dangerous objects/collision avoidance), route monitoring (Off Track, Grounding avoidance) and Own Ship's Guard Frame display dangerous information (With regards to the conditions set)

Chart area magnified display



Wide range chart display is available without adjustment to the Chart scale (One click magnification function available)

AIO display (Option)



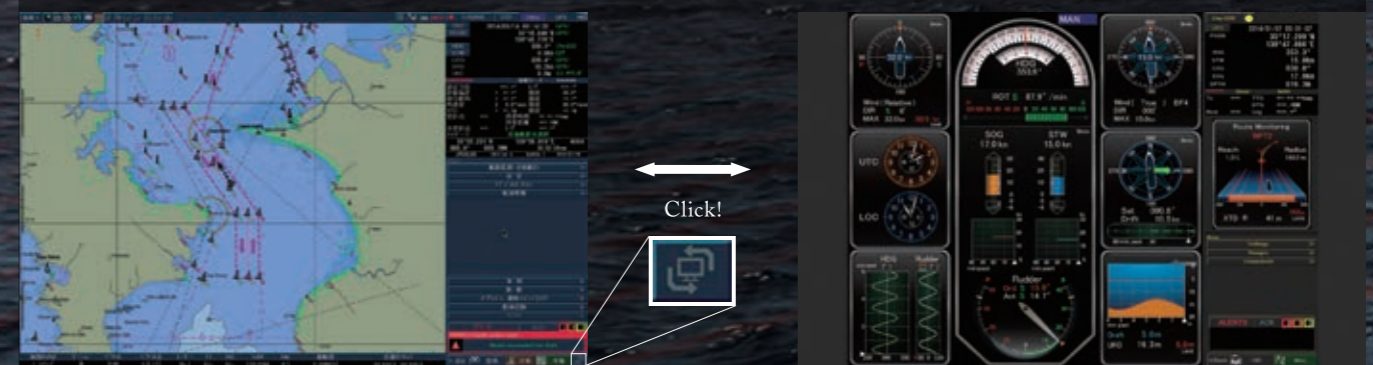
The AIO display function displays T&PNMs (Temporary related notices) and supplemental information used by each country's Hydrographic Office on the ENC chart. This gives the possibility for recent changes and navigation warning related information not shown on ENC to be displayed and acknowledge in a timely manner by the navigator.

Alert information display



Each Alert is separated into 3 grades, ALARM (Red)/ WARNING (Orange) and CAUTION (Yellow), and are displayed in the order of priority.

Conning display (Option)



Each type of navigation information (ship's heading, ship's speed, rudder angle, wind speed / direction) can all be displayed on one screen allowing for efficient confirmation. With one click, it is possible to interchange the ECDIS display and the Conning display. There is also possibility for installation of a remote conning display in a different location.

Note: ECDIS Display and Conning Display change-over is only possible with backup ECDIS

Track Control System : TCS (Option)

The EC-8600/8100 series can be incorporated with the PR-9000/6000 (HCS) and TCS is possible via the new adaptive NCT method or the PID method.

- Superior control with the latest control technology New Adaptive NCT which contributes to efficient navigation.
- PID method is superior with regards to cost performance.

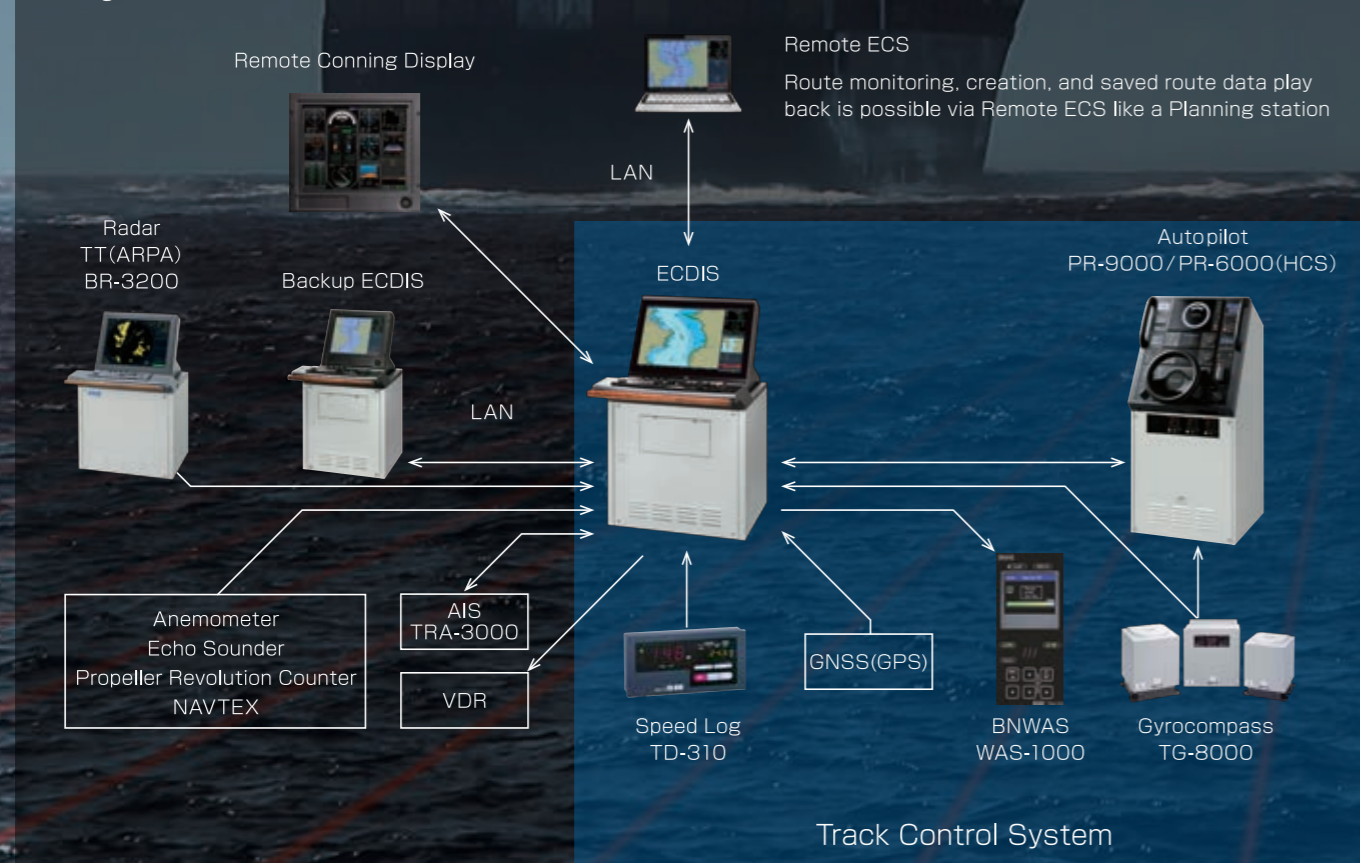


When the start WPT is selected at the start of TCS, the selectable portion of the route is highlighted. From the own ship to the selected start WPT, the most suitable temporary route is automatically created which gives possibility for a smooth approach into the planned route.

Based on position information from the GPS, automatic navigation can be performed on a planned route and the most suitable automatic waypoint passing can be performed via the use of TCS.

Avoidance steering is possible with regards to the various conditions. With the Pilot Control Unit (Option), a new route can be made from the ship's bow direction and the ship's course can be altered along the route using HCS.

Configuration



Specification

(1) Display

- LCD
 - 19 inch (EC-8100 / EC-8100K)
 - 26 inch (EC-8600 / EC-8600K)
 - TFT color LCD panel
 - Effective display range
 - 376×301mm (EC-8100 / EC-8100K)
 - 550.08×343.8mm (EC-8600 / EC-8600K)
 - Resolution
 - SXGA (1280×1024 pixels EC-8100 / EC-8100K)
 - WUXGA (1920×1200 pixels EC-8600 / EC-8600K)
 - Display
 - TFT Active Matrix model
 - Display colors
 - Max.16.7million colors

(2) Mode

- Operation mode
 - Planning, Monitor, Update
- Display mode
 - North Up, Course Up, Route Up, True motion and Relative motion

(3) Function

Chart display, Ship position fixing, Target positioning measurement, Route planning, Route monitoring, 24 hours/3 months navigation record and play back, Navigation memo and No-go line/No-go area, Tracked target information display, AIS target information display, System self-diagnosis

〈Option〉

Track Control(TCS), Radar overlay, AIO display, Conning display, Pilot Control Unit, ARCS chart display, Slave display, Remote ECS connection (up to 3 connection), Back-up ECDIS connection

(4) External input / output signals

- 〈Input〉
 - Position fixing
 - IEC61162-1 Ed.1, Ed.2, Ed.3 and Ed.4 GNS, GGA, RMC, GLL, VTG, ZDA, DTM
 - Gyrocompass
 - IEC61162-1 Ed.1, Ed.2, Ed.3 and Ed.4 HDT, ROT, THS, IEC61162-2
 - Speed Log
 - IEC61162-1 Ed.1, Ed.2, Ed.3 and Ed.4 VBW, VLW

- Echo Sounder
 - IEC61162-1 Ed.1, Ed.2 DPT, DBT
- Anemometer
 - IEC61162-1 Ed.1, Ed.2, Ed.3 MWV, MWD
- Tracked target
 - IEC61162-1 Ed.1, Ed.2, Ed.3, Ed.4 TTM, RSD, OSD, TTD
 - IEC62388 Ed.2
- Radar
 - Video, Trigger, Antenna rotation, and Heading signals
- NAVTEX
 - IEC 61162-1, Ed.1, Ed.2, Ed.3 NRX
- Propeller revolution
 - IEC 61162-1, Ed.1, Ed.2, Ed.3 RPM

〈Input/Output〉

- AIS
 - IEC61162-2 VDM, VDO
- Autopilot (HCS)
 - IEC61162-1, 2 (Input) HTC, ZDA etc. (Output) HTD, RSA, ALR

〈Output〉

- Slave display
 - RGB image (up to 2 displays)
- Remote ECS
 - Route file, System data
- Backup ECDIS
 - Route file etc
- BNWAS
 - Conning display
- Printer (Remote ECS I/F)
 - Waypoint list etc

(5) Power

AC100/110/115/220V, DC24V
300VA (AC), 320W (DC)

(6) Operating Environment

Temperature 0~+45°C
Humidity 30%~90% RH (35°C)
Vibration IEC-60945 Ed.4 Protected type

(7) Display Chart

ENC (IHO S-57 Ed.3.1), C-Map (CM93 Ed.3), ARCS

Models

	26 inch Display Unit	19 inch Display Unit
Stand alone type	EC-8600	EC-8100
Unit type	EC-8600K	EC-8100K

EC-8600K Unit type

Flexible unit type application for various Bridge Layouts

