

Intellian i5

Maximized Performance in a Compact Design

Marine Satellite TV Antenna System



HDTV
COMPATIBLE

Just the Right Fit

The i5 is the world's first 21" satellite TV designed for cruising vessels who require exceptional TV service throughout the US, Bahamas, Caribbean, and Mexico. The antenna is purpose built to provide just the right fit for vessels 40 to 60 feet.

Quicker & Quieter

Intellian's patented iQ² technology delivers the best user experience available on the market today. An advanced signal searching algorithm acquires the satellite 4-5 times faster than conventional methods. Intelligent, real time beam analysis holds the signal and reduces overall motor movement by up to 80%, eliminating annoying background noise while at anchor or in the slip.

Simple & Easy Installation

With a single cable to connect the antenna and the ACU, the i5 system is quick and easy to install. Our intuitive ACU features a front panel display with functional keys and requires minimal setup so you can begin to enjoy TV programs in no time.

Wireless Control via Aptus

Built-in Wi-Fi enables the ACU to be wirelessly managed and controlled via Aptus PC or Mobile, Intellian's graphical antenna control software. Aptus user-friendly displays vital performance metrics in a graphical format that simplifies operation. It even includes an auto diagnostic function designed to help solve problems quickly should they arise. The Aptus Mobile application is available in the Apple Store and through Google Play.

Standard All Americas LNB

The i5 is built to cruise offshore throughout the Americas. For this reason it comes standard with Intellian's own All America's LNB, meaning users will not have to swap LNBs when sailing between regions.

Built-in GPS

The i5 includes a built-in GPS, which facilitates an easier installation by eliminating the need to integrate with the vessel's system. Additionally, the GPS enables faster signal acquisition and improves overall tracking performance.

Simple Network Update Process

Easily respond to satellite TV service network changes that may cause outages. Aptus Mobile automatically checks for these updates, enabling users to stay current with any changes through a simple mobile app process.

Tune in your favorite HDTV channels

Intellian's i5 receives HD channels from any Ku- band TV service. Enjoy HD programming whether cruising in the US, Mexico or the Caribbean.

Intellian
Connect with the best

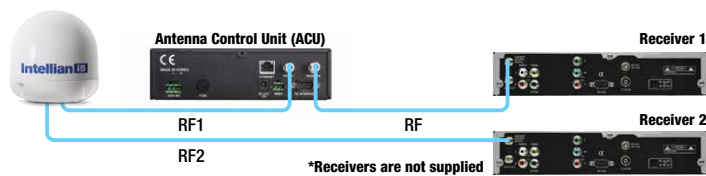
Intellian i5

Maximized Performance in a Compact Design Marine Satellite TV Antenna System

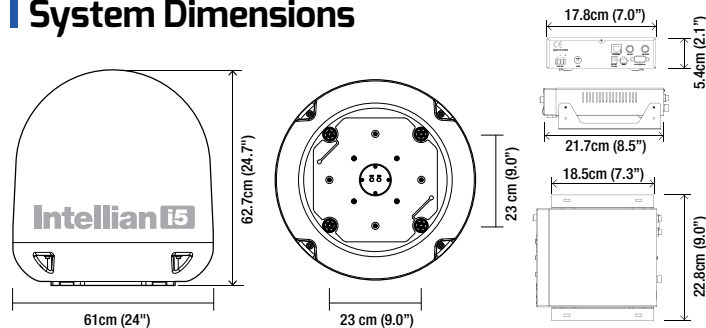
Technical Specifications

Physical	
Radome Height	62.7cm / 24.7"
Radome Diameter	61cm / 24"
Reflector Diameter	53.5cm / 21"
Weight	17.3kg / 38lbs
Environmental	
Operating Temp. Range	-25°C to +55°C / -13°F to +131°F
Storage Temp. Range	-40°C to +80°C / -40°F to +176°F
Water Ingress	IPX6
Approvals	CE / FCC
Warranty	3 year parts and 1 year labor
Performance	
Reception Frequency	Ku-band (10.7~12.75GHz)
Polarization	RHCP / LHCP
Minimum EIRP	47dBW
Azimuth Range	680°
Elevation Range	0° to +90°
Ship's Motion	Roll ±25°, Pitch ±15°
Roll & Pitch Response Rate	50° / sec
Turning Rate	50° / sec
RF Output	Dual Output
Antenna Control Unit	
Dimensions (WxDxH)	17.8cm x 21.7cm x 5.4cm / 7" x 8.5" x 2.1"
Weight	1.2kg / 2.6lbs
Display	2 line 20 character VFD module
GPS Interface	Built-in (NMEA 0183 GPS)
Power Requirement	9.0~30.0V DC
Power Consumption	Typ. 30W, Max. 50W

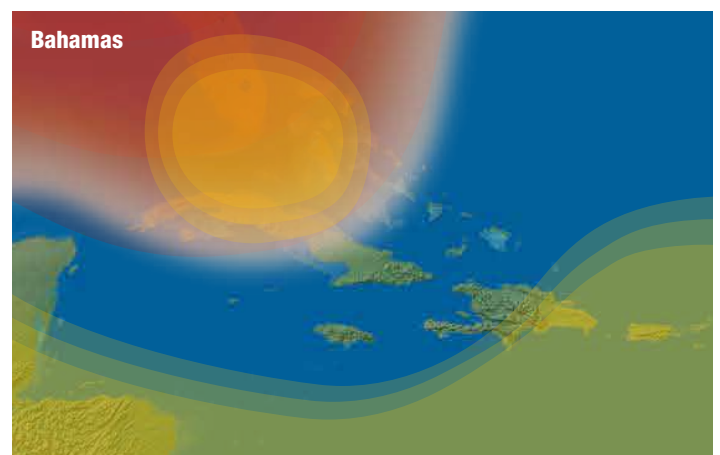
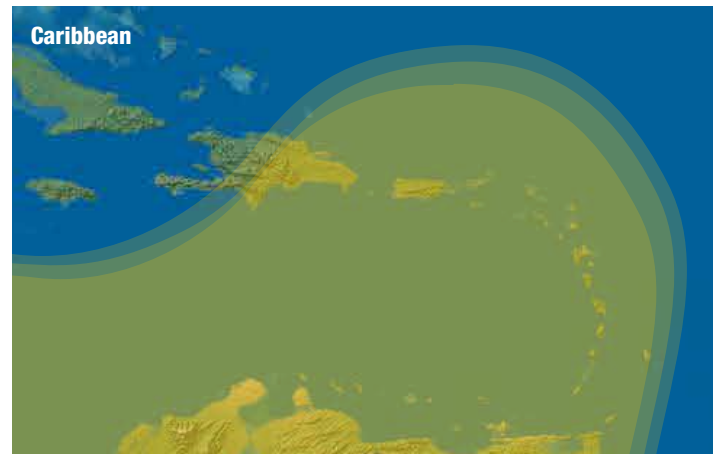
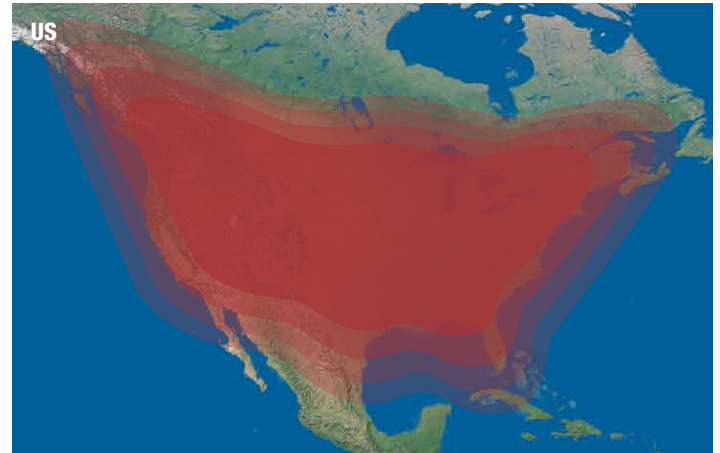
System Diagram



System Dimensions



Coverage Map



— Dish & DirecTV — DirecTV Latin America

Note: The coverage maps are intended for information purposes only. The actual coverage and minimum EIRP level can be variable upon weather conditions. Intellian makes no warranties as to the coverage area in this document and the information can be changed without notice.



Global HQ
Innovation Center / Factory
Intellian Technologies, Inc
T +82 31 379 1000
F +82 31 377 6185

APAC
Seoul Office
Intellian Technologies, Inc.
T +82 2 511 2244
F +82 2 511 2235

Americas
Irvine Office
Intellian Technologies USA, Inc.
T +1 949 727 4498
F +1 949 271 4183
Toll Free +1 888-201-9223

EMEA
Rotterdam Office
Intellian B.V.
T +31 1 0820 8655
F +31 1 0820 8656