

FURUNO

MODEL **FA-40/70**
AIS RECEIVER/CLASS B+ TRANSCEIVER



FA-40 AIS Receiver
FA-70 Class-B+ AIS Transceiver

 **Mackay**
Marine Electronics &
Satellite Communications
www.mackaymarine.com



www.furuno.com



**NMEA2000
Certified**

KEY FEATURES:

- Silent Mode with optional ON/OFF switch
- Compact and light with wider range and faster transmit performance*
- Internal VHF splitter eliminates need for separate antenna*
- Switchable SO-TDMA and CS-TDMA*
- NMEA2000 port, 2x NMEA0183 ports and a USB (micro B) port
- Initial setup can be done through the NMEA2000 network (TZT2/TZT3)

*FA-70 ONLY

MODEL FA-40/70
AIS RECEIVER/CLASS B+ TRANSMITTER

The FA-40/70 AIS receives the vessel's AIS information and other useful information from surrounding vessels. Class-B+ AIS that transmits your vessel's information at faster rates than typical Class B units. The FA-40/70 guarantees an AIS time slot allocation, ensuring your vessel's information is received.

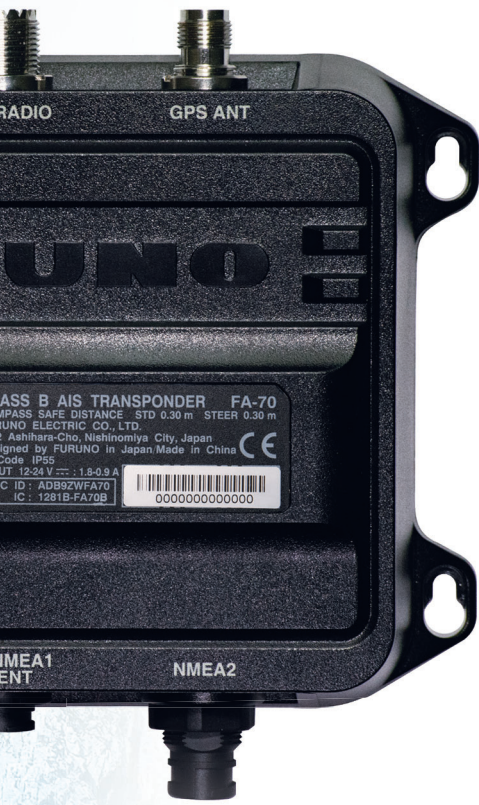
SUPERBLY ACCURATE INFORMATION EXCHANGE

MODEL	DYNAMIC DATA	STATIC DATA	VOYAGE RELATED DATA
FA-40 INFORMATION TO BE RECEIVED	<ul style="list-style-type: none"> • Ship's position • Coordinated Universal Time (UTC) • Course Over Ground (COG) • Speed Over Ground (SOG) • Rate Of Turn (ROT) • Heading • Navigation status 	<ul style="list-style-type: none"> • MMSI (Maritime Mobile Service Identity) • IMO number • Ship's name • Ship's type • Call sign • Length and beam • Location of position-fixing antenna on ship 	<ul style="list-style-type: none"> • Ship's draft • Hazardous cargo • Destination and ETA
FA-70 INFORMATION TO BE RECEIVED AND TRANSMITTED	<ul style="list-style-type: none"> • Ship's position • Coordinated Universal Time (UTC) • Course Over Ground (COG) • Speed Over Ground (SOG) • Rate of Turn (ROT)* • Heading 	<ul style="list-style-type: none"> • MMSI (Maritime Mobile Service Identity) • IMO number • Ship's name • Ship's type • Cargo • Call sign • Length and beam • Location of position-fixing antenna on ship 	

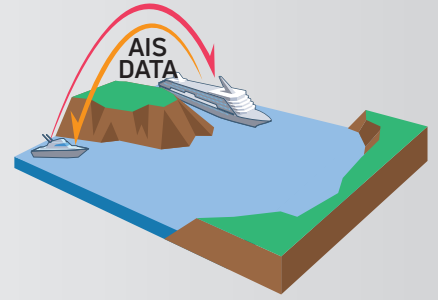
*If transmitted by remote AIS

VHF/AIS ANTENNA

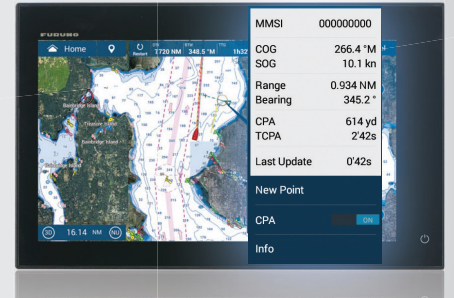
PC
(testing and setup only)



The Automatic Identification System (AIS) improves the safety level of boating by exchanging information about the status of your ship with other AIS-equipped craft nearby.



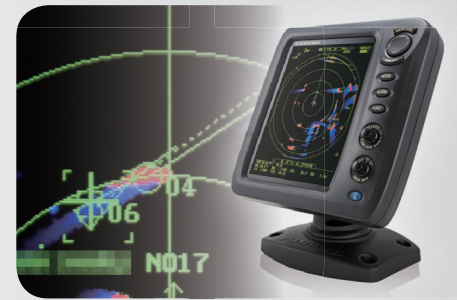
Simply tap on an AIS target to reveal critical information: Ship's name, COG, SOG, CPA, TCPA, Range and Bearing.



FA-70

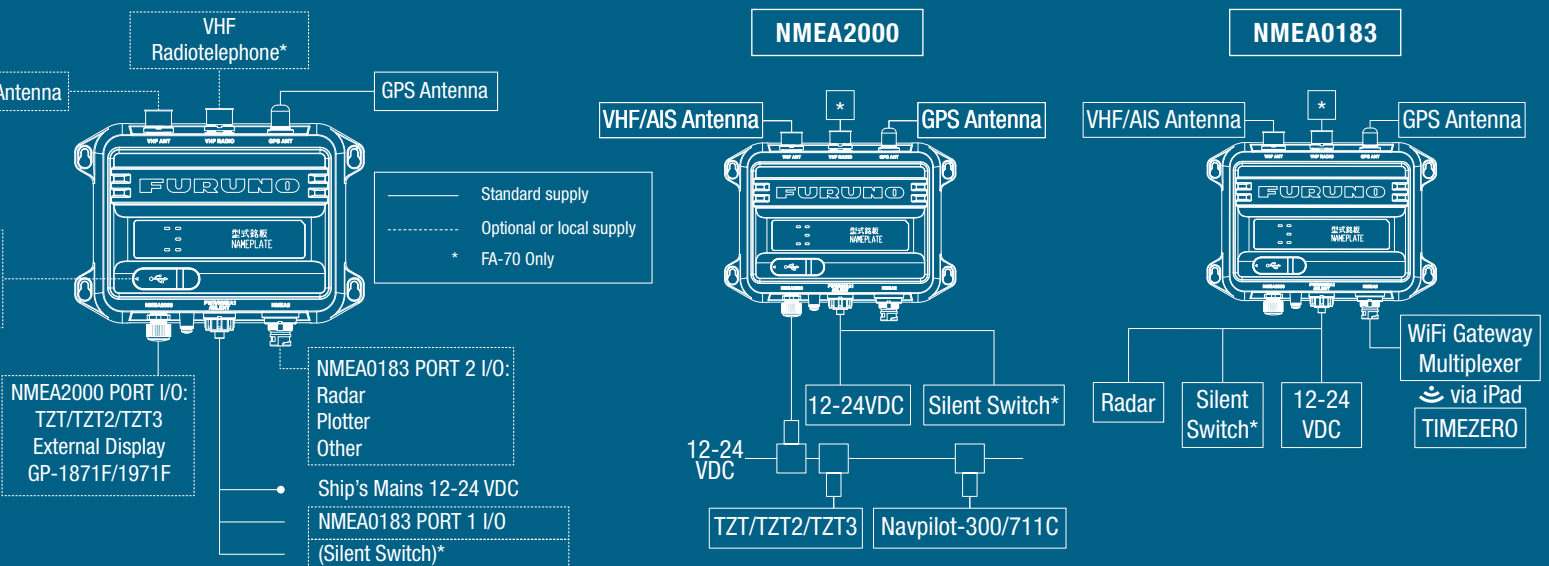
CLASS B+ TRANSCEIVER

AIS targets are fully visible and predictable when interfacing with a compatible Furuno Radar.



... name, call sign, position, COG, SOG, ... surrounding vessels. The FA-70 is a ... vessel information at higher power & ... bits for added awareness. SO-TDMA ... making you visible in congested waters.

AND SIMPLE SETUP WITH NMEA2000/NMEA0183



MODEL	AIS RECEIVER	CLASS-B+ AIS TRANSCEIVER
	FA-40	FA-70
STANDARDS		
	EN 303 413 V1.1.1, EN 301 843-1 V2.2.1 IEC 60945 Ed.4+CORR.1 IMO MSC.140 (76) ITU-R M.1371-5 IEC 62368-1 Ed.3	
	DSC: ITU-R M.825-3 IEC 62287-1 Ed.3.0, IEC 62287-2 Ed.2.0, IEC 62311 Ed.1+Ed.2	



TRANSPONDER UNIT		
TX/RX Frequency (FA-40/70: RX Frequency)		
Output Power	FA-40 Receive Only	Selectable: 5W or 1W (SO-TDMA), 2W (CS-TDMA)
Channel Spacing	25 kHz	

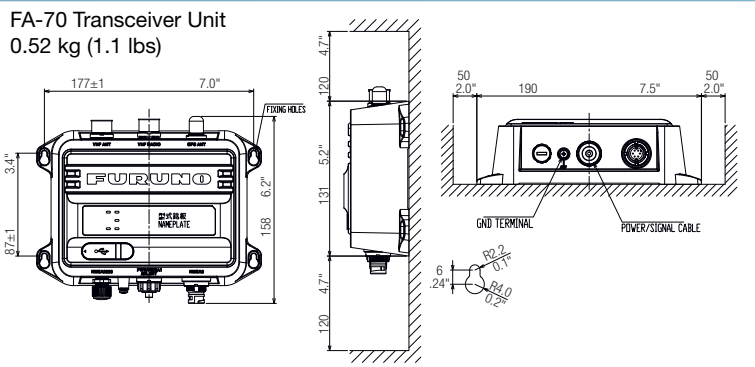
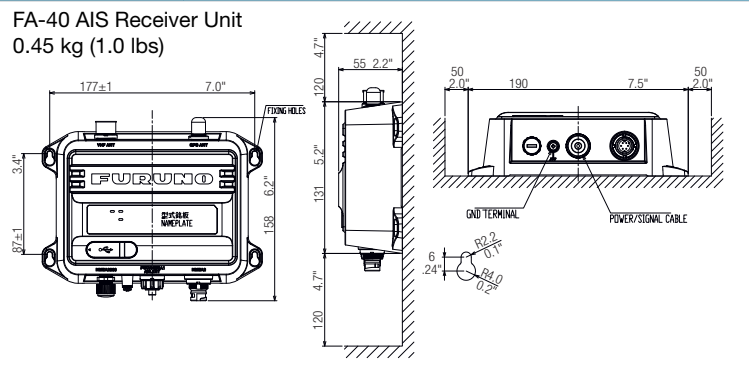
GPS RECEIVER		
Receiving Channels	12 channels, SBAS 2 channels, 14 satellites tracking	
Rx Frequency	1575.42 MHz	
Rx Code	C/A code	
Position Accuracy	13 m (2 drms, HDOP <= 4)	

INTERFACE			
NMEA0183	Input - 2 Ports	ACA, ACK, AIQ, DTM, GBS, GGA, GLL, GNS, HDT, OSD, RMC, SSD, THS, VBW, VSD, VTG	ABM*, ACK, AIQ, BBM*, HDT, SSD, THS, VSD *(ABM, BBM: SO-TDMA only)
	Output - 2 Ports	ABK, ACA, ACS, ALR, GGA, GLL, RMC, SSD, TXT, VDM, VDO, VER, VSD, VTG	
NMEA2000	Input - 1 Port	059392, 059904, 060160, 060416, 060928, 065240, 126208, 127250	
	Output - 1 Port	059392, 059904, 060928, 126208, 126464, 126992, 126993, 126996, 126998, 127258, 129025, 129026, 129029, 129038, 129039, 129040, 129041, 129540, 129792, 129793, 129794, 129795 ¹ , 129796, 129797, 129798, 129800 ² , 129801, 129802, 129803, 129804 ¹ , 129805, 129806, 129807, 129809, 129810, 129811, 129812 ¹ , 129813 ³ ¹ (FA-40/FA-70: SO-TDMA mode only) ² (FA-40: SO-TDMA mode only), ³ (FA-70: SO-TDMA mode only)	

ENVIRONMENT			
Temperature	Antenna Unit	-25°C to +70°C	
	Other Units	-15°C to +55°C	-15°C to +55°C
Waterproofing	Antenna Unit	IP56	
	Other Units	IP55	

POWER SUPPLY			
Transponder Unit (FA-40: Receiver Unit)	12-24 VDC, 0.3-0.2 A	12-24 VDC, 1.8-0.9 A	

UNIT DIAGRAMS



SPECIFICATIONS SUBJECT TO CHANGE WITHOUT NOTICE Catalog No. 1-A-20033LB
CA000001428

- | | | | | |
|---|---|--|---|--|
| <p>FURUNO ELECTRIC CO., LTD.
Japan www.furuno.com
FURUNO U.S.A., INC.
U.S.A. www.furunousa.com
FURUNO PANAMA S.A.
Republic of Panama www.furuno.com.pa
FURUNO (UK) LIMITED
U.K. www.furuno.co.uk
FURUNO NORGE A/S
Norway www.furuno.no</p> | <p>FURUNO DANMARK A/S
Denmark www.furuno.dk
FURUNO SVERIGE AB
Sweden www.furuno.se
FURUNO FINLAND OY
Finland www.furuno.fi
FURUNO POLSKA Sp. z o.o.
Poland www.furuno.pl
FURUNO DEUTSCHLAND GmbH
Germany www.furuno.de</p> | <p>FURUNO FRANCE S.A.S.
France www.furuno.fr
FURUNO ESPAÑA S.A.
Spain www.furuno.es
FURUNO ITALIA S.R.L.
Italy www.furuno.it
FURUNO HELLAS S.A.
Greece www.furuno.gr
FURUNO (CYPRUS) LTD
Cyprus www.furuno.com.cy</p> | <p>FURUNO EURUS LLC
Russian Federation www.furuno.ru
FURUNO SHANGHAI CO., LTD.
China www.furuno.com/cn
FURUNO CHINA CO., LTD.
Hong Kong www.furuno.com/cn
FURUNO KOREA CO., LTD
Korea
FURUNO SINGAPORE
Singapore www.furuno.sg</p> | <p>PT FURUNO ELECTRIC INDONESIA
Indonesia www.furuno.id
FURUNO ELECTRIC (MALAYSIA) SDN. BHD.
Malaysia www.furuno.com/my
BEWARE OF SIMILAR PRODUCTS
All brand and product names are trademarks, registered trademarks, or service marks for their respective holders.
SPECIFICATIONS SUBJECT TO CHANGE WITHOUT NOTICE
Printed in U.S.A.</p> |
|---|---|--|---|--|