

Intellian

t 150 N

1.5M MARITIME Global Satellite TV Antenna System



FEATURES

ALL NEW HARDWARE STRUCTURE

All new hardware and pedestal based on our quality proven VSAT NX terminals. Modular components are used throughout the new t-Series range, such as the main control unit and skew assembly. Sharing common modules across Intellian's new t-Series antenna, reduces the number of spare parts required.

Wi-Fi CONNECTIVITY

The Wi-Fi function enables the ACU to be wirelessly connected. Any kind of wireless devices such as PCs, laptops and smartphones can be used to connect to the ACU to manage and control the antenna system.

TELEVISION WHEREVER YOU ARE

From Intellian's pre-programmed library of TV satellites worldwide, users can easily select the desired satellite while traveling from region to region. Users also can program the desired TV satellite on AptusNTV. Once the satellite is selected, the WorldView™ LNB module will automatically switch to the corresponding Ku-band local frequency and receive the signal without the need to switch the LNB.

UNLIMITED AZIMUTH RANGE

With Intellian's unique rotary joint and slip ring solution, those onboard will enjoy uninterrupted TV services no matter the number of turns the vessel makes. The solution eliminates the need to wait for the antenna to reposition to unwrap once the cable length was reached. The TV choices you enjoy at home can be enjoyed at sea.

NEW APTUSNTV

Intellian's all new integrated M&C platform AptusNTV provides responsive web user interface. The simple seven step installation wizard function configures the antenna system automatically and minimizes operators' work for system installation and operation.

SYSTEM HIGHLIGHTS

- 5 cable configuration
- All New hardware structure
- Pre-programmable WorldView Ku-band LNB
- Unlimited azimuth range
- DVB-S2 Digital TV receptions
- Wi-Fi connectivity enable
- User-friendly SW platform for antenna M&C
- Matching dome solution
- Dual setup via external Mediator

t150N

TECHNICAL SPECIFICATIONS

ABOVE DECK UNIT

Radome Height	197.0cm / 77.6"
Radome Diameter	190.0cm / 74.8"
Reflector Diameter	153cm / 60.24"
Weight	255.0kg / 562.2 lbs
Azimuth Range	Unlimited
Elevation Range	-15° to +110°
Cross-level Range	Up to ±35°
Rx Frequency	10.7 ~ 12.75 GHz, Ku-Band
Rx Gain	> 43.6 dBi @ 11.7 GHz (w/o Radome)
LNB Type	Ku-Band WorldView Pre-programmable
EIRP	38.6 dBW (Min.)
Polarization	Linear & Circular
Stabilization Accuracy	0.2° max in presence of specified ship motions
Ship Motion (@ 6 second)	Roll ± 25°, Pitch ± 15°, Yaw ± 8° Turning Rate: Up to 10° /sec ²

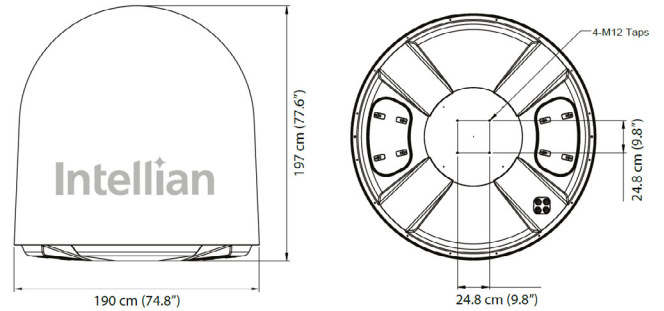
BELOW DECK UNIT

Dimensions	43.1 x 41.1 x 4.4 cm / 17.0" x 16.2" x 1.7"
Weight	5.7 kg / 12.6 lbs
Key	2 Push Keys
LED Indicator	3 LEDs: Power, Tracking, Error
Power Requirement	100 ~ 240 VAC, 50~60Hz, 3,3A
Power Consumption	Max 150W
Gyrocompass Interface	NMEA2000 / NMEA0183
Ethernet Port	RJ45, TCP / IP connection
RF Interface	FSK/DC power: F-type

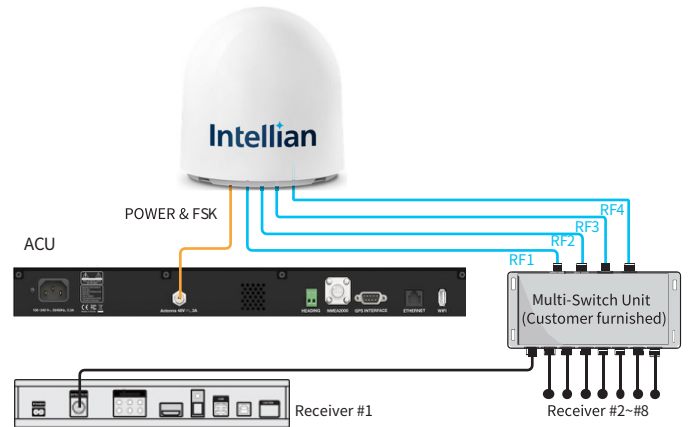
LNB LO FREQUENCIES

Local Oscillator Freq.	Polarization	Area
11.250 GHz	Dual Circular	North America, Russia
10.500 GHz	Dual Circular	Latin America
10.750 GHz	Single Circular	Korea
10.678 GHz	Dual Circular	Japan
11.300 GHz	Single Circular	South East Asia
10.700 GHz	Dual Linear	Australia
Universal Low: 9.75/High 10.6 GHz	Quad Linear	Europe, Middle East, Africa, Some Asia countries

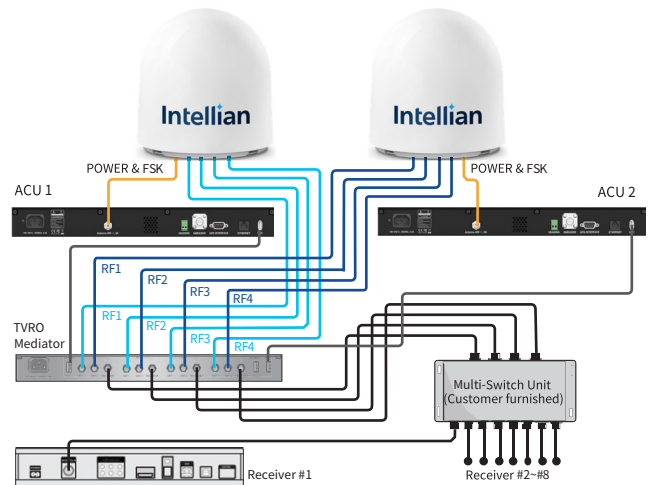
SYSTEM DIMENSION



SYSTEM DIAGRAM



SYSTEM DIAGRAM (DUAL)



Global HQ

Innovation Center
Intellian Technologies, Inc.
T +82 31 379 1000

APAC

Seoul
Intellian Technologies, Inc.
T +82 2 511 2244

Americas

Irvine
Intellian Technologies USA, Inc.
T +1 949 727 4498
Toll Free +1 888-201-9223

EMEA

Rotterdam
Intellian B.V.
T +31 1 0820 8655