

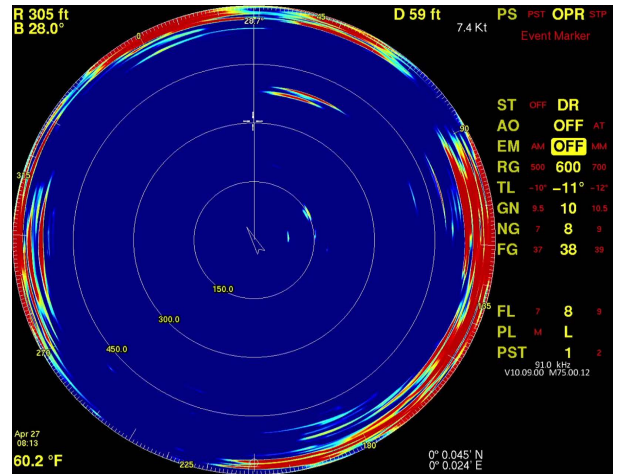
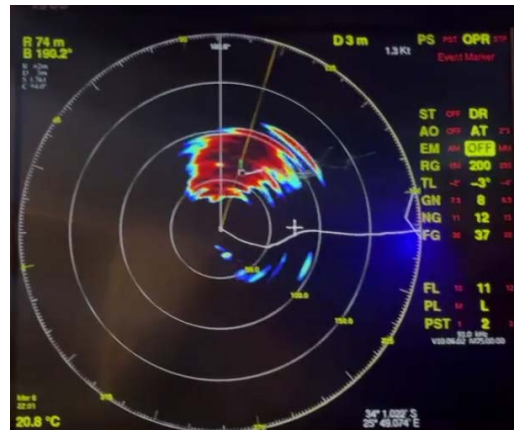
# MiniMAQ 90KHz OMNI SONAR

- 90KHz 10° directionally stabilized Sonar.
- An addition to the MAQ Sonar line of OMNI Sonar for the Commercial and Sport Fishing Industries.
- Designed to fit smaller budgets and boats.
- Fits in 6" (or 8") sea-chests where searchlight sonar was the only option previously.
- Smaller electronics, transducer and hoist. Optional Keypad Controller.
- Proven to find pelagic species such as Tuna, Marlin, Sardine, Herring, Anchovy.
- Detection Distance depends on target strength. 1000' or 300m on schools of fish. As much as 600' or 200m on individual fish.

12.3" Length, 5.5" Diameter



**FOR MORE INFORMATION CONTACT US TODAY!**

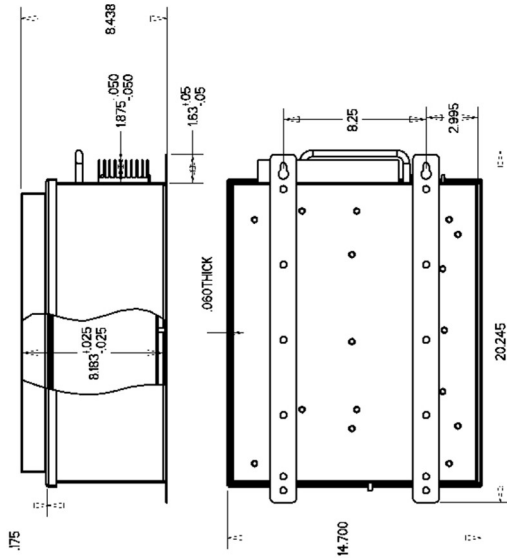




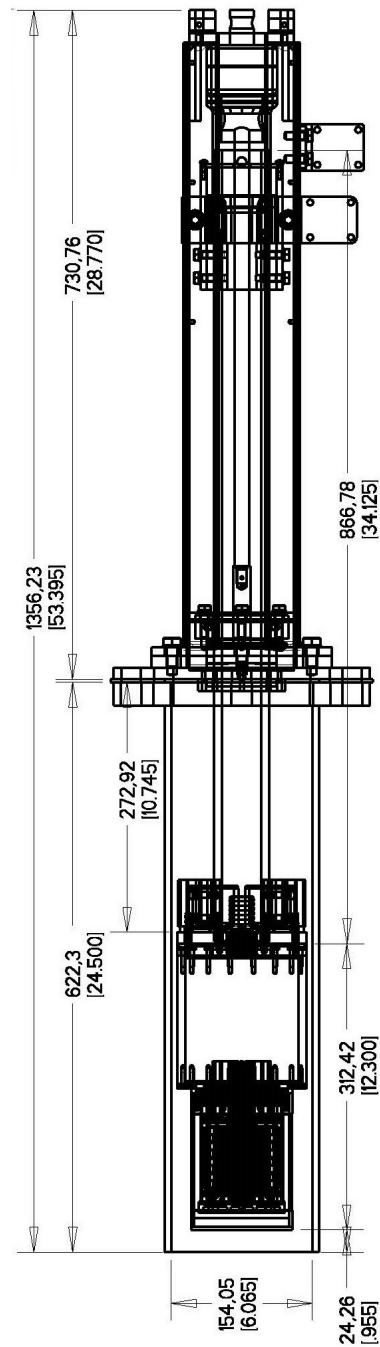
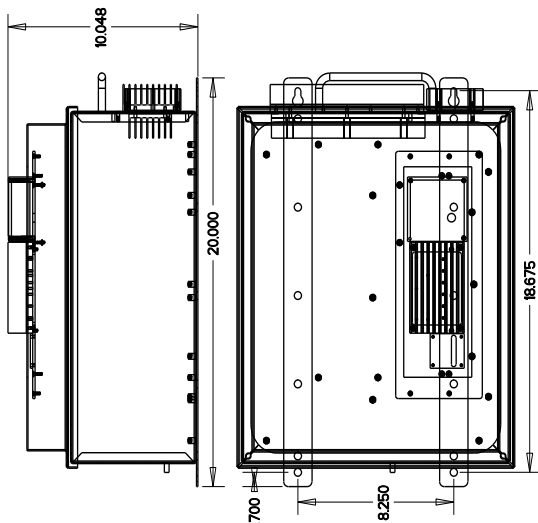
# MiniMAQ 90KHz OMNI SONAR

Processor Dimensions  
14.7" (374mm) x 20.5 (514mm) x 8.44"  
(214mm)  
Within 14' (4.35m) Display

MiniMAQ 90KHz in 6" Sea-Chest.



Transceiver Dimensions  
14.7" (374mm) x 20.5 (514mm)  
x 10" (245mm)  
Within 24' (8m) Hoist.



Mackay Marine – High Seas  
+1 281 479 1515 marinesales@mackaymarine.com

Mackay Communications, Satellite Solutions  
+1 919 850 3100 satserv@mackaycomm.com

Mackay Marine Canada  
+1 902 469 8480 sales.canada@mackaymarine.com

Mackay Marine Alaska & Pacific Northwest  
NWsales@mackaymarine.com Ballard/SEA, WA +1 206 282 8080  
Dutch Harbor, AK +1 253 922 6260

9 Church Street  
Finch, ON, Canada  
K0C 1K0

Tel: (1) 613-984-9000  
info@maqsonar.com